

IB-20B001

EMC SERIES MOTION CONTROLLER

MARCH 2001

EMERALD EMC-2000



INSTRUCTION BOOK

INDUSTRIAL INDEXING SYSTEMS, Inc.

PRICE \$35.00

Revision - 0
Approved By:

Proprietary information of Industrial Indexing Systems, Inc. furnished for customer use only.
No other uses are authorized without the prior written permission of
Industrial Indexing Systems, Inc.

Date	Rev.	ECN No.	DR	CHK	CHK
10/23/01	0	ECN-01-371 (See Note 1)	KY	SM	
2/26/02	A	ECN-02-075 (See Note 2)	KY	SM	
5/28/02	B	ECN-02-080 (See Note 3)	KY	SM	
9/19/02	C	ECN-02-263 (See Note 4)	KY	TO	
10/22/02	D	ECN-02-339 (See Note 5)	KY	KW	
1/31/03	E	ENC-03-030 (See Note 6)	KY	JC/SM	

Notes:

- 1) Pages 3-1, 4-1 and 4-3, dated October 2001, supersede pages 3-1, 4-1 and 4-3, dated March 2001.
- 2) Table of Contents, page iii, dated February 2002, supersedes Table of Contents, page iii, dated March 2001.
Section 3, pages 3-1 & 3-2, dated February 2002, supersede Section 3, pages 3-1 & 3-2, dated March 2001.
- 3) Table of Contents, List of Illustrations, Introduction and Section 5, page 5-1, dated May 2002, supersede Table of Contents, List of Illustrations, Introduction and Section 5, page 5-1, dated March 2002.
Added Appendix A and Appendix B.
- 4) Page 2-1, dated September 2002 supersedes page 2-1, dated March 2001.
- 5) Table of Contents, page v, dated October 2002, supersedes Table of Contents, page v, dated May 2002. Appendix B, added pages B-8, B-9 and B-10, dated October 2002.
- 6) Table of Contents, pages v-vi, dated January 2003, supersedes Table of Contents, pages v-vi, dated October 2002. List of Illustrations, dated January 2003, supersedes List of Illustrations, dated May 2002. Added Appendix C, Appendix D and Appendix E.

INDUSTRIAL INDEXING SYSTEMS, Inc.

626 Fishers Run

Victor, New York 14564

Tel: (585) 924-9181

Fax: (585) 924-2169

TABLE OF CONTENTS

List of Illustration.....vii

Introduction ix

SECTION 1 - OVERVIEW

1.1 Identifying the Emerald Controller 1 - 1

SECTION 2 - DESCRIPTION

2.1 Components 2 - 2
2.1.1 Status Indicators 2 - 2
2.1.2 Connectors 2 - 2

SECTION 3 - EMERALD SPECIFICATIONS

3.1 General 3 - 1
3.2 Power Requirement 3 - 1
3.3 SERCOS Interface 3 - 1
3.4 Environment 3 - 1
3.5 Communication Ports 3 - 2
3.6 Encoder Interface 3 - 2
3.7 Watchdog Protection 3 - 2

SECTION 4 - EMERALD WIRING

4.1 Port 1 & Port 2 4 - 1
4.2 Port 3 (DeviceNet/Can Bus) 4 - 1
4.3 Encoder Interface 4 - 2
4.4 Power and Watchdog Connector 4 - 3
4.5 SERCOS Interface TX/RX 4 - 3

SECTION 5 - STATUS & ERROR CODES

5.1	Controller Status	5 - 1
5.2	SERCOS Status Displays.....	5 - 2
5.3	DeviceNet Status Displays for Port 3	5 - 3
5.3.1	Module Status LED	5 - 3
5.3.2	Network Status LED	5 - 4

SECTION 6 - INSTALLATION GUIDELINES

6.1	General.....	6 - 1
6.2	Enclosure Cabinet Requirements.....	6 - 1
6.3	Mounting the System Unit.....	6 - 1
6.4	Cable Isolation Requirements	6 - 1
6.5	Grounding Requirements.....	6 - 1
6.6	Power Isolation.....	6 - 1
6.7	Installation Drawings.....	6 - 2

SECTION 7 - CABLES AND ACCESSORIES

APPENDIX A - MODEM PMC OPTION BOARD

A.1	Modem Overview	A - 1
A.2	Power Requirement	A - 1
A.3	Wiring	A - 1
A.4	EDE Setup For Modem Communication.....	A - 1
A.4.1	Select Modem For Connection	A - 2
A.4.2	Modem EDE Configuration Screen	A - 3
A.4.3	Connection Properties.....	A - 3
A.4.4	Disconnect Properties	A - 4
A.5	EMC ASCII Terminal Mode	A - 4
A.6	PMC-Modem LEDs.....	A - 5
A.7	EMC Status Displays For PMC-Modem.....	A - 5
A.8	Operation Outside of United States.....	A - 6
A.9	EMC Modem Programming Instructions	A - 6

APPENDIX B - ETHERNET PMC ETHERNET BOARD

B.1	Ethernet Overview.....	B - 1
B.2	Power Requirement	B - 1
B.3	Wiring	B - 1
B.4	PMC-Ethernet LEDs	B - 1
B.5	EDE Setup For Ethernet Communication	B - 2
B.5.1	Select Ethernet For Connection Type	B - 2
B.5.2	Ethernet EDE Configuration Screen.....	B - 3
B.6	Ethernet Card Setup	B - 3
B.7	Global Parameters	B - 4
B.8	Default Web Page.....	B - 6
B.9	Sample XML Document.....	B - 7
B.10	Sample Global Parameter	B - 8
B.11	Sample Global Parameter Value.....	B - 9
B.12	Sample Setting A Global Parameter Value.....	B - 10

APPENDIX C - MASTER RESOLVER PMC OPTION BOARD

C.1	Master Resolver Overview.....	C - 1
C.2	Power Requirement	C - 1
C.3	Wiring	C - 1
C.4	PMC-Resolver LEDs.....	C - 1
C.5	PMC-Resolver Card Setup	C - 2
C.5.1	Configuring A Resolver As A Master Position Source	C - 2

APPENDIX D - FIBER OPTIC MASTER PMC OPTION BOARD

D.1	Fiber Optic Master Overview	D - 1
D.2	Specifications	D - 2
D.2.1	Power Requirements.....	D - 2
D.2.2	Optical Master Propigation.....	D - 2
D.2.3	Master Position Update.....	D - 2
D.3	Description	D - 3
D.4	PMC-FOM LEDs	D - 3
D.5	PMC-FOM Card Setup	D - 4
D.5.1	Configuring A PMC-FOM As A Master Position Source	D - 4

APPENDIX E - SMARTMEDIA MEMORY PMC OPTION BOARD

E.1	SmartMedia Memory Overview	E - 1
E.2	Specifications	E - 1
E.2.1	Power Requirements.....	E - 1
E.2.2	SmartMedia Support	E - 1
E.3	PMC-SmartMedia Description.....	E - 1
E.4	PMC-SmartMedia LEDs	E - 2
E.5	PMC-SmartMedia Operation	E - 2

LIST OF ILLUSTRATIONS

SECTION 1 - OVERVIEW

SECTION 2 - DESCRIPTION

Figure 2.1	Emerald Layout	2 - 1
------------	----------------------	-------

SECTION 3 - EMERALD SPECIFICATIONS

SECTION 4 - EMERALD WIRING

Figure 4.1	Port 1 & Port 2	4 - 1
Figure 4.2	DeviceNet/Can Bus	4 - 1
Figure 4.3	Encoder Interface Connector Pinouts.....	4 - 2
Figure 4.4	Power and Watchdog Connection	4 - 3
Figure 4.5	Typical SERCOS Ring	4 - 3

SECTION 5 - STATUS & ERROR CODES

Figure 5.1	Controller Status	5 - 1
Figure 5.2	SERCOS Status Displays	5 - 2
Figure 5.3	DeviceNet	5 - 3
Table 5.1	Module Status LED	5 - 3
Table 5.2	Network Status LED	5 - 4

SECTION 6 - INSTALLATION GUIDELINES

SECTION 7 - CABLES AND ACCESSORIES

APPENDIX A - MODEM PMC OPTION BOARD

APPENDIX B - ETHERNET PMC ETHERNET BOARD

APPENDIX C - MASTER RESOLVER PMC OPTION BOARD

Figure C.1	PMC-Resolver Card Wiring.....	C - 1
------------	-------------------------------	-------

APPENDIX D - FIBER OPTIC MASTER PMC OPTION BOARD

Figure D.1	Fiber Optic Master Overview	D - 1
Figure D.2	Fiber Optic Master Description	D - 3

APPENDIX E - SMARTMEDIA MEMORY PMC OPTION BOARD

Figure E.1	PMC-SmartMedia Description	E - 1
------------	----------------------------------	-------

INTRODUCTION

Thank you for selecting Industrial Indexing Systems' Emerald Series products. You join many other companies around the world in your choice of these powerful, flexible motion control products.

The EMC-2000 embodies a blend of open architecture features with a true real-time operating system. The result is a state-of-the art performance and superior connectivity to other systems and network components.

The EMC-2000 has a wide array of features, including a 64-bit MIPS processor, SERCOS Interface™, DeviceNet/CanBus port, two RS-232 ports, Encoder master follower input, programmable limit switch (PLS) Functions, 2 software simulated motors (pacers), failsafe watchdog timer and high visibility status displays. The EMC-2000 also offers 2 PCI Mezzanine slots (PMC) for interfacing a large selection of optional features, including a master follower resolver, Ethernet, removable memory, embedded PC and modem.

The controller is programmed using our friendly **E**merald **M**otion **P**rogramming **L**anguage (EML) and powerful new **E**merald **D**evelopment **E**nvironment (EDE) software tools for the PC.

SECTION 1 - OVERVIEW

This manual is organized so that information is easy to find and easy to use. It begins by detailing how to identify the EMC-2000 Controller and its options. This section is followed by a general description of the product and its components. Next, a comprehensive hardware specification is provided followed by connector wiring diagrams. The section that follows documents the controller status displays. Sections on EMC-2000 installation guidelines and cables drawings round out the manual.

1.1 IDENTIFYING THE EMERALD CONTROLLER

Emerald Controller packages can be identified as follows.

Your EMERALD Controller model number uses this designation:

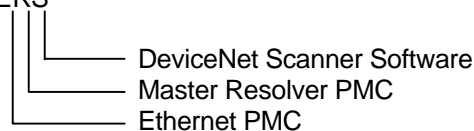
EMC-2000XXX

WHERE:

XXX = option list in alphabetical order

- E = Ethernet Single Slot PMC Card
- B = Removable memory port single slot PMC card
- R = Master resolver single slot PMC card
- P = Embedded PC dual slot PMC card
- M = Modem single slot PMC card
- S = DeviceNet Scanner Software

Example: EMC-2000ERS



SECTION 2 - DESCRIPTION

The Emerald EMC-2000 product is a SERCOS Master servo motion controller, with the ability to command up to 8 SERCOS Slave Devices. The application program that operates the controller is created on a PC using the EDE software tools and sent serially to the controller via an RS-232 link.

NOTE

All commands used by the EMERALD are part of the Emerald Motion Language (EML). Refer to the Emerald Development Environment (EDE) PC tools online help for detailed information on the commands and their proper usage.

The external connections that exist on the Emerald are shown in **Figure 2.1**, and consist of 2 RS-232 ports, DeviceNet/Can Bus port, Master Encoder Input, SERCOS Transmitter and Receiver, as well as a Hardware Watchdog and power connections.

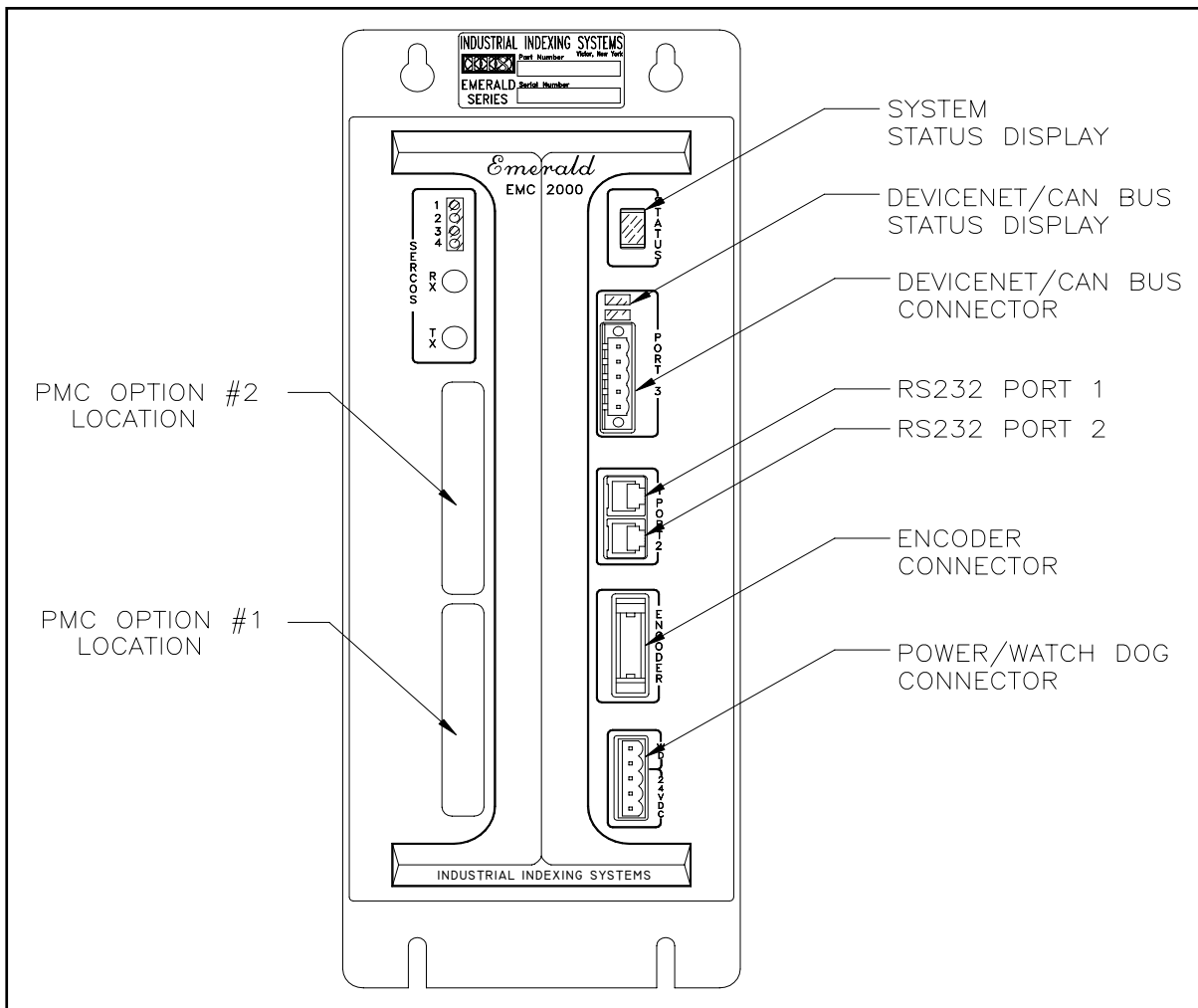


Figure 2.1 - Emerald Layout

2.1 COMPONENTS

2.1.1 STATUS INDICATORS

NOTE

For indicator status information, refer to Section 5 - Status & Error Codes.

1. Controller Status Display - This single seven-segment LED display with decimal point provides status information of various operating conditions.
2. SERCOS Status LEDs - This 4 LED Array indicates the status of the SERCOS Interface™.
3. DeviceNet Status LEDs - The combination of these 2 bi-color LEDs indicates the status of DeviceNet network or Can Bus.

2.1.2 CONNECTORS

NOTE

For proper pinouts for each connector refer to Section 4 - Emerald Wiring.

1. PORT 1 - This 6-pin RJ-11 connector is an RS-232 serial communication port. It uses a custom protocol to communicate with the EDE software tools on a PC. This port also facilitates firmware download.
2. PORT 2 - This 6-pin RJ-11 connector is an RS-232 serial communication port. It can be used to communicate with the IIS OPI-50 or similar RS-232 type device. The protocol is selectable through the EML programming language. This port does default to the custom protocol for communicating with the EDE software tools on a PC.
3. PORT 3 - This 5-pin header is a DeviceNet/Can Bus interface port. The Emerald can operate as both a slave (standard) and master scanner (optional) on a DeviceNet network. EML program data and EMERALD System Status Flags can be sent or monitored over this Network
4. ENCODER - This 10-pin header is a high-speed master encoder pulse input.
5. WD/24V - This connector is used to connect the required 24VDC external power supply. This connector also provides a normally open hardware watchdog output for external monitoring of the EMERALD operation. The watchdog output contact will be closed when the Motion Application is executing.
6. RX - This SMA style interface port is the SERCOS Fiber Optic Receiver. This is return connection for SERCOS Interface Ring.
7. TX - This SMA style interface port is the SERCOS Fiber Optic Transmitter. This connection is the start of the SERCOS Interface Ring.

SECTION 3 - EMERALD SPECIFICATIONS

3.1 GENERAL

Weight	5.8 lbs / 2.2 Kgs
Dimensions	Width 4.80 in (121.9 mm) Height 12.5 in (317.4 mm) Depth 7.28 in (184.8 mm)
Recommended Panel Depth	12.00 in (304.8 mm) (See Section 6 - Installation Guidelines)

3.2 POWER REQUIREMENT

Supply Voltage	24 volts DC + 10%, Class 2 power supply
Supply Current	.75 amps max. with no PMC option cards installed.

3.3 SERCOS INTERFACE

Interface Version	V01.02
Topology	Multi drop fiber optic ring
Transmission Rates	2, 4, 8 and 16 MB/second

3.4 ENVIRONMENT

Storage Temperature	-10 to 70°C/14-158°F
Operating Temperature	0 to 50°C/32-131°F
Humidity	35 to 90% Relative Humidity, non-condensing
Shock and Vibration	1 G or less
Operating Conditions	Free of dust, liquids, metallic particles and corrosive gases. Use in a pollution degree 2 environment.

3.5 COMMUNICATION PORTS

Port 1	Classification: RS-232 Data Transfer: EMC Packet protocol Protocol: 38400 baud, 1 stop bit, 8 data bits, No parity
Port 2	Classification: RS-232 Data Transfer: EMC Packet protocol (default), Programmable Protocol: Configurable
DeviceNet / CAN Bus	Classification: CAN bus DeviceNet: Data Transfer and Protocol are defined by the DeviceNet specifications. OR CAN Bus: IIS unique software protocol for easy to use multidrop control. Reference IB-11B023.
Fiber Optic Transmitter/ Receiver	Classification: SMA style - SERCOS compatible Fiber Optics SERCOS: Data Transfer and Protocol are define by the SERCOS Specification (IEC-61491 or EN-61491).

3.6 ENCODER INTERFACE

A quad B with marker	Three differential Inputs. Input Frequency DC to 1.5 MHz. ON: 5V±5% @ 20mA max. OFF: 1V±5% less than 1mA.
Trap	Input for trapping encoder's 32 bit signed position. 24V±10% @ 10 mA max. Max. Trap Rate 1 kHz. Trap Register is updated on falling edge of input. Consult factory for availability of rising edge Trap Input.

3.7 WATCHDOG PROTECTION

Contact Type	Relay normally open dry contact
Rating	Up to 28 VAC/VDC, 1.0 Amp Maximum

SECTION 4 - EMERALD WIRING

This section details the pinouts of the external connectors on the EMERALD controller. Refer to **Section 7 INTERFACE CABLES** for part numbers of cables to interface to these connectors.

4.1 PORT 1 & PORT 2

The ports are used for communication and use RJ-11 connectors to interface to respective devices. The port 1 & port 2 pinouts are shown in **Figure 4.1**.

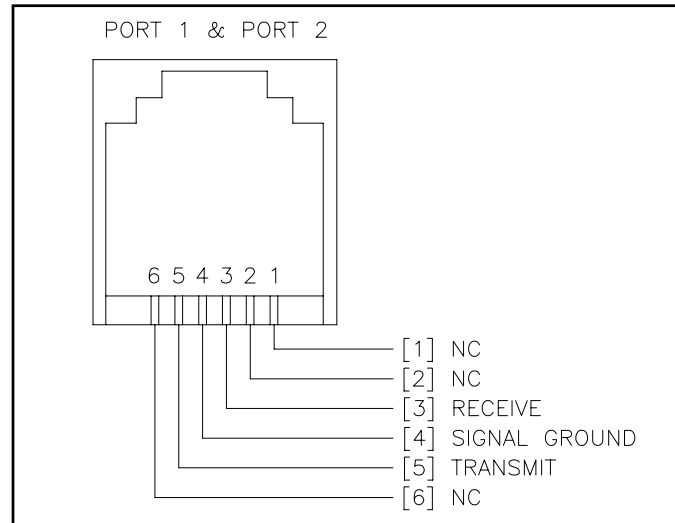


Figure 4.1 - Port 1 & Port 2

4.2 PORT 3 (DeviceNet/Can Bus)

DeviceNet/Can Bus is to be powered by a 12 to 24 volt, Class 2 power supply.

The DeviceNet/Can Bus pinouts are shown in **Figure 4.2**.

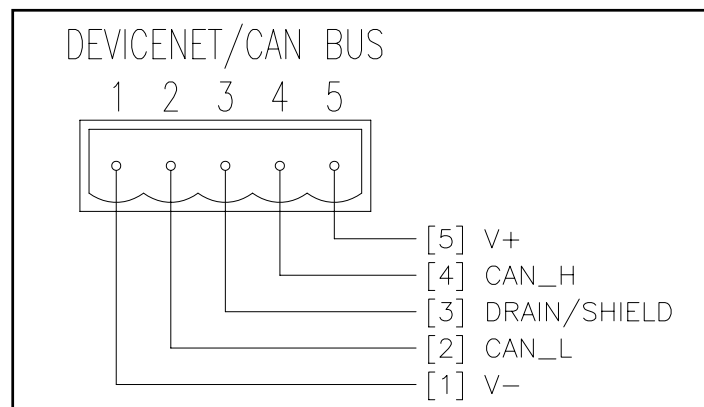


Figure 4.2 - DeviceNet/CAN Bus

4.3 ENCODER INTERFACE

The Encoder interface connector pinouts are shown in **Figure 4.3**.

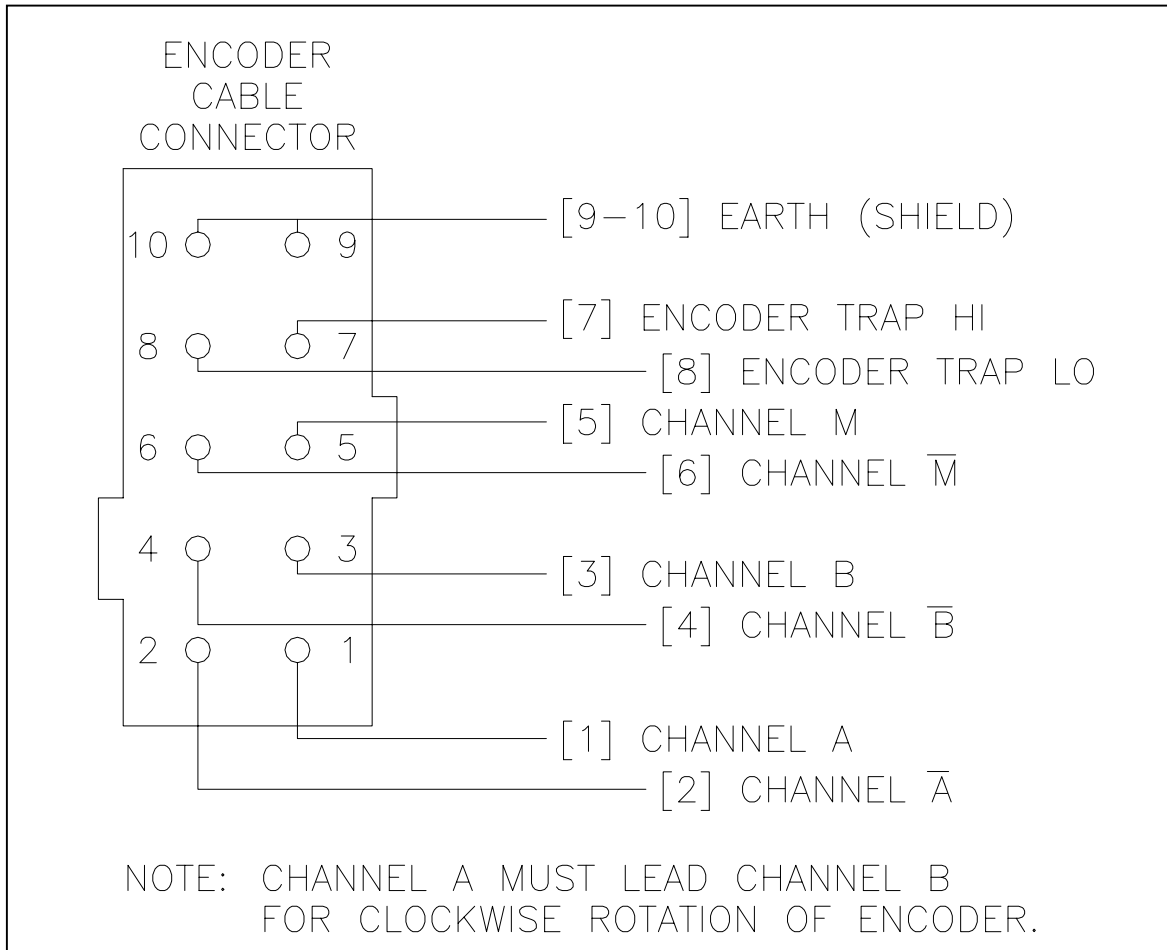


Figure 4.3 - Encoder Interface Connector Pinouts

4.4 POWER AND WATCHDOG CONNECTER

The 24-volt, Class 2 power supply is to be used to power the EMC-2000.

The pinouts of the WD/24V connector are shown in **Figure 4.4**.

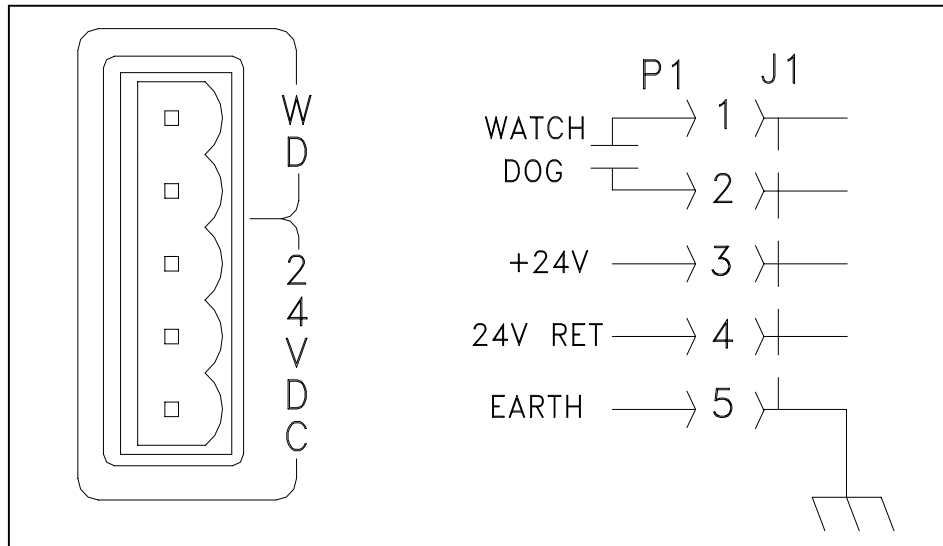


Figure 4.4 - Power and Watchdog Connection

4.5 SERCOS INTERFACE TX/RX

The SERCOS Interface™ is a multi-drop fiber-optic ring with 1 Master Controller command multiple Slave devices. The EMERALD acts as the Master Controller in this arrangement.

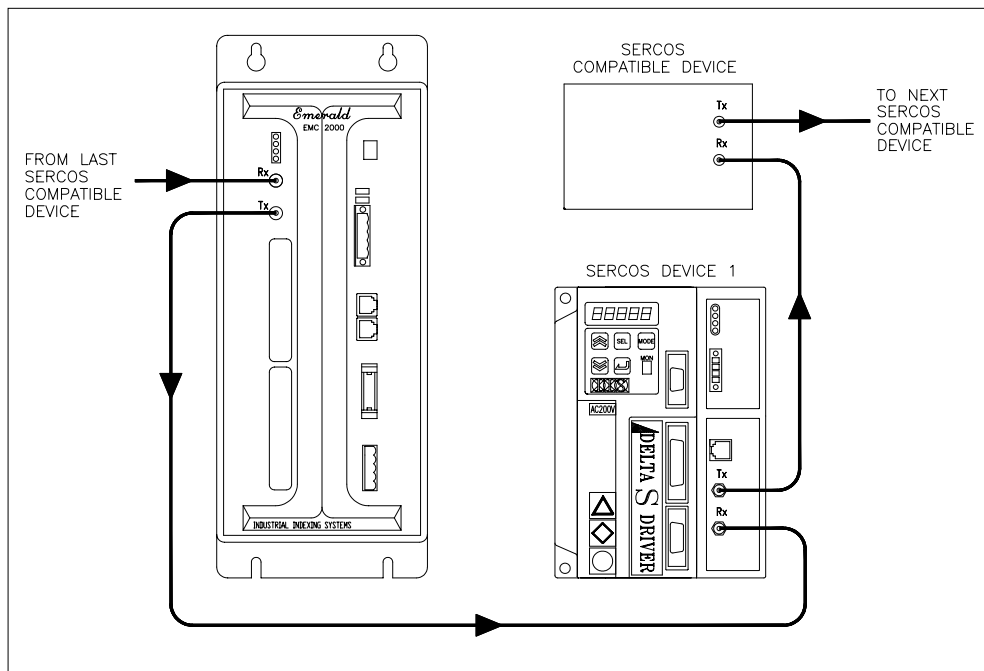


Figure 4.5 - Typical SERCOS Ring

SECTION 5 - STATUS & ERROR CODES

5.1 CONTROLLER STATUS

<u>SYSTEM STATUS</u>		<u>PROGRAM ERRORS</u>	
<input type="checkbox"/> PROGRAM LOADED		<input type="checkbox"/> + <input type="checkbox"/> DIVIDE BY ZERO	
<input checked="" type="checkbox"/> PROGRAM RUNNING "A" W/FLASHING DOT= AT LEAST ONE DRIVE DISABLED		<input type="checkbox"/> + <input type="checkbox"/> ILLEGAL ARGUMENT	
<input checked="" type="checkbox"/> PROGRAM RUNNING "A" W/SOLID DOT= ALL DRIVES ENABLED		<input type="checkbox"/> + <input type="checkbox"/> SERCOS DEVICE WRONG STATE	
<input type="checkbox"/> SYSTEM RESET (NO APPLICATION)		<input type="checkbox"/> + <input type="checkbox"/> STACK OVERFLOW	
<input type="checkbox"/> LOSS OF PROGRAM/FLASH FAILURE		<input type="checkbox"/> + <input type="checkbox"/> STACK UNDERFLOW	
<input type="checkbox"/> CLEARING FLASH		<input type="checkbox"/> + <input type="checkbox"/> DNET DEVICE WRONG STATE	
<input type="checkbox"/> LOW POWER		<input type="checkbox"/> + <input type="checkbox"/> DNET QUE FULL	
<input checked="" type="checkbox"/> SYSTEM BOOTING		<input type="checkbox"/> + <input type="checkbox"/> RESERVED	
<input type="checkbox"/> NOV RAM FAILURE		<input type="checkbox"/> + <input type="checkbox"/> RESERVED	
<input type="checkbox"/> CACHE ERROR		<input type="checkbox"/> + <input type="checkbox"/> ENCOUNTERED AN END_PROGRAM STATEMENT	
<input type="checkbox"/> SYSTEM RESET (NO O.S.)		<input type="checkbox"/> + <input type="checkbox"/> APPLICATION MEMORY ERROR	
<u>SYSTEM ERRORS</u>		<u>COMM PORT ERRORS</u>	
<input type="checkbox"/> + <input type="checkbox"/> SERCOS TIMING CALC ERROR		<input type="checkbox"/> + <input type="checkbox"/> PORT 1/PORT 2 PACKET TIMEOUT	
<input type="checkbox"/> + <input type="checkbox"/> BAD OPCODE		<input type="checkbox"/> + <input type="checkbox"/> PORT 1 HANDSHAKE ERROR	
<input type="checkbox"/> + <input type="checkbox"/> TRIED TO LOAD PROGRAM WHILE NOT RESET		<input type="checkbox"/> + <input type="checkbox"/> PORT 2 HANDSHAKE ERROR	
<input type="checkbox"/> + <input type="checkbox"/> TRIED TO SET A READ ONLY FLAG		<input type="checkbox"/> + <input type="checkbox"/> RESERVED	
<input type="checkbox"/> + <input type="checkbox"/> SET DNET SCANNER WITHOUT SOFTWARE		<input type="checkbox"/> + <input type="checkbox"/> BAD PACKET SENT TO PORT 1	
<input type="checkbox"/> + <input type="checkbox"/> DNET SCANNER INIT FAIL		<input type="checkbox"/> + <input type="checkbox"/> BAD PACKET SENT TO PORT 2	
<input type="checkbox"/> + <input type="checkbox"/> DNET PARAMETER ERROR		<input type="checkbox"/> + <input type="checkbox"/> PRINT Q FULL	
<input type="checkbox"/> + <input type="checkbox"/> OPCODE NOT COMPLETED			
<input type="checkbox"/> + <input type="checkbox"/> CONFIG SPACE FAIL			
<input type="checkbox"/> + <input type="checkbox"/> EXCEEDED AVAILABLE TIMERS			
<u>CPU EXCEPTION ERRORS</u>			
<input type="checkbox"/> + <input type="checkbox"/> + <input type="checkbox"/> TLB MODIFICATIONS		<input type="checkbox"/> + <input type="checkbox"/> + <input type="checkbox"/> RESERVED INSTRUCTION	
<input type="checkbox"/> + <input type="checkbox"/> + <input type="checkbox"/> TLB EXCEPTION LOAD/FETCH		<input type="checkbox"/> + <input type="checkbox"/> + <input type="checkbox"/> COPRESSOR UNSTABLE	
<input type="checkbox"/> + <input type="checkbox"/> + <input type="checkbox"/> TLB EXCEPTION STORE		<input type="checkbox"/> + <input type="checkbox"/> + <input type="checkbox"/> ARITHMETIC OVERFLOW	
<input type="checkbox"/> + <input type="checkbox"/> + <input type="checkbox"/> ADDRESS ERROR EXCEPTION LOAD/FETCH		<input type="checkbox"/> + <input type="checkbox"/> + <input type="checkbox"/> TRAP EXCEPTION	
<input type="checkbox"/> + <input type="checkbox"/> + <input type="checkbox"/> ADDRESS ERROR EXCEPTION STORE		<input type="checkbox"/> + <input type="checkbox"/> + <input type="checkbox"/> RESERVED	
<input type="checkbox"/> + <input type="checkbox"/> + <input type="checkbox"/> BUS ERROR EXCEPTION FETCH		<input type="checkbox"/> + <input type="checkbox"/> + <input type="checkbox"/> FLOATING POINT EXCEPTION	
<input type="checkbox"/> + <input type="checkbox"/> + <input type="checkbox"/> BUS ERROR LOAD OR STORE			
<input type="checkbox"/> + <input type="checkbox"/> + <input type="checkbox"/> SYSCALL		NOTE: CPU EXCEPTIONS ARE <u>FATAL</u> CALL IIS FOR ASSISTANCE.	
<input type="checkbox"/> + <input type="checkbox"/> + <input type="checkbox"/> BREAK POINT EXCEPTION			
<u>PMC SLOT ERRORS</u>			
("X" IS THE ERROR CODE FOR THAT PMC OPTION INSTALLED SEE APPROPRIATE APPENDIX HERE IN.)			
<input type="checkbox"/> + "X" ERROR DETECTED ON BOTTOM PMC SLOT.			
<input type="checkbox"/> + "X" ERROR DETECTED ON TOP PMC SLOT.			
<input type="checkbox"/> + <input type="checkbox"/> + <input type="checkbox"/> INDICATES A FLASHING SEQUENCE ON DISPLAY.			

Figure 5.1 - Controller Status

5.2 SERCOS STATUS DISPLAYS

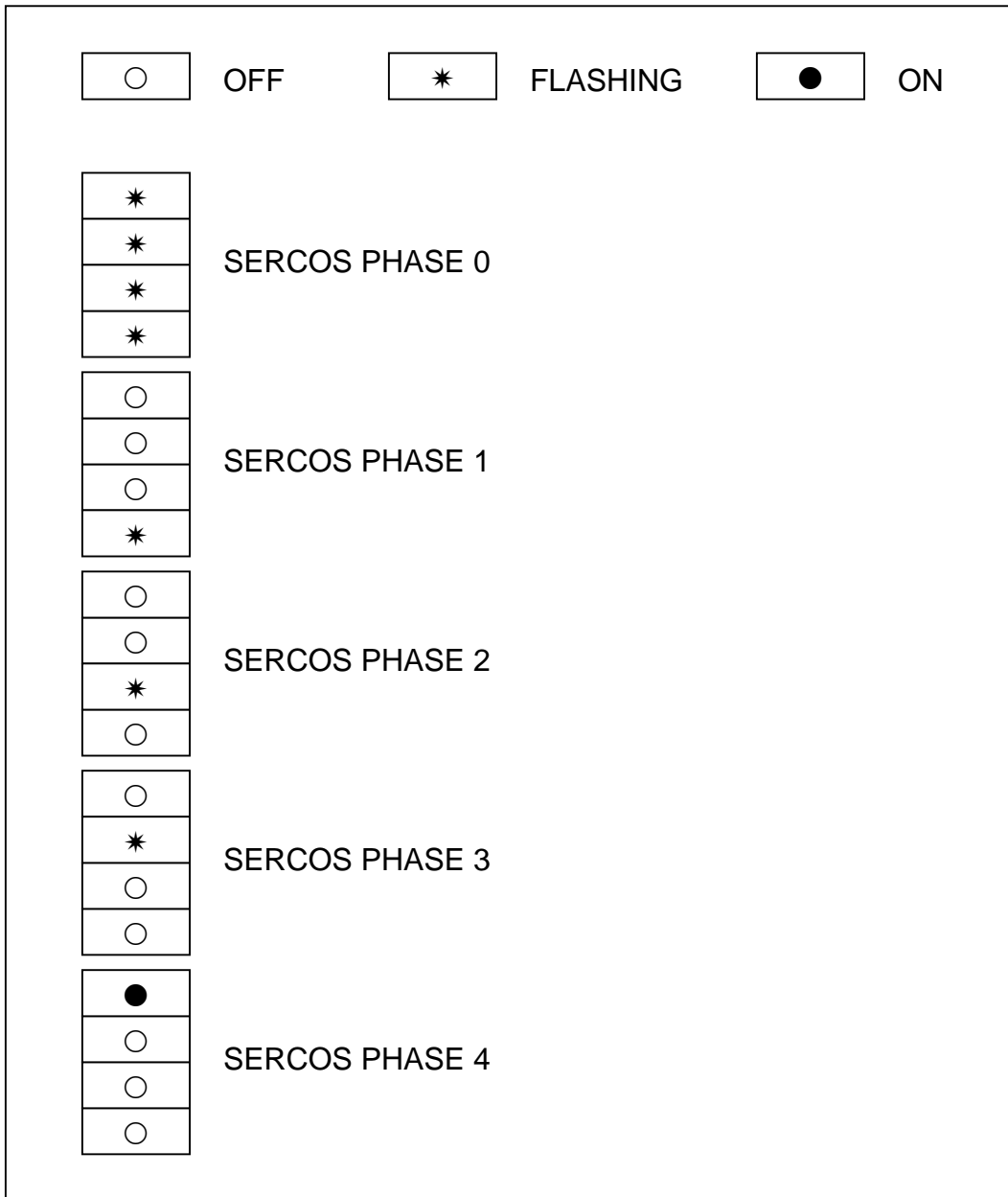


Figure 5.2 - SERCOS Status Displays

5.3 DEVICENET STATUS DISPLAYS FOR PORT 3



Figure 5.3 - DeviceNet

5.3.1 MODULE STATUS LED

The lower bi-color (green/red) LED provides DeviceNet device status. It indicates whether or not the device has power and is operating properly. **Table 5.1** and **Figure 5.3** define the Module Status LED states.

STATE	LED IS	TO INDICATE
No Power	Off	There is no power applied to the device.
Device Operational	Green	The device is operating in a normal condition.
Device in Standby (The Device Needs Commissioning)	Flashing Green	The device needs commissioning due to configuration missing, incomplete or incorrect. The device may be in the standby state.
Minor Fault	Flashing Red	Recoverable fault.
Unrecoverable Fault	Red	The device has an unrecoverable fault; may need replacing.
Device Self Testing	Flashing Red & Green	The device in self-test.

Table 5.1 - Module Status LED

5.3.2 NETWORK STATUS LED

The upper bi-color (green/red) LED indicates the status of the communication link.

Table 5.2 defines the Network Status LED states.

STATE	LED IS	TO INDICATE
Not Powered/Not On-line	Off	Device is not on-line. - The device has not completed the Dup_MAC_ID test yet. - The device may not be powered, look at Module Status LED.
On-line, Not Connected	Flashing Green	Device is on-line but has no connections in the established state. - The device has passed the Dup_MAC_ID test, is on-line, but has no established connections to other nodes. - For a Group 2 Only device it means that this device is not allocated to a master. - For a UCMM capable device it means that the device has no established connections.
Link OK On-Line, Connected	Green	The device is on-line and has connections in the established state. - For a Group 2 Only device it means that the device is allocated to a Master. - For a UCMM capable device it means that the device has one or more established connections.
Connection Time-Out	Flashing Red	One or more I/O Connections are in the Timed-Out state.
Critical Link Failure	Red	Failed communications device. The device detected an error that has rendered it incapable of communicating on the network (Duplicate MAC ID or Bus-off).
Communication Faulted and Received an Identify Comm Fault Request - Long Protocol	Flashing Red & Green	A specific Communication Faulted device. The device has detected a Network Access error and is in the Communication Faulted state. The device has subsequently received and accepted an Identify Communication Faulted Request - Long Protocol message.

Table 5.2 - Network Status LED

SECTION 6 - INSTALLATION GUIDELINES

6.1 GENERAL

This section contains the specific information needed to properly install the Emerald EMC-2000 controller unit. For maximum performance it is recommended that the controller unit be installed in a NEMA 12 type enclosure and certain other criteria be met.

6.2 ENCLOSURE CABINET REQUIREMENTS

Ideally, the EMC-2000 controller unit, along with other related electronic components, should be mounted on a panel housed in a NEMA 12 enclosure. It is recommended that the cabinet have a depth of 12.00 inches (304.8 mm) to accommodate the bend radius of the SERCOS fiber optic cables. The enclosure should be mounted as far away as practical from noise generating devices, such as SCR equipment.

6.3 MOUNTING THE SYSTEM UNIT

The EMC-2000 controller unit is designed for mounting on a grounded panel, and is secured to the panel with four #10 screws. Be sure to provide adequate spacing around the controller unit for ease of maintenance and proper ventilation. Typically wire ways can be located up to 3 inches (76 mm) from the edge of the controller unit back plate. Refer to drawing number EMC-2000 in **Section 6.7 - Installation Drawings** for mounting dimensions.

6.4 CABLE ISOLATION REQUIREMENTS

It is imperative that any low-voltage signal conductors, such as resolvers, encoders or communications, (24V or less) be routed in conduits or wire ways separate from high-voltage, such as motor cables, and transformer lines (100V or more). This will insure that electromagnetic fields produced by high power transmission do not corrupt the low level signals. All cabling shields must be connected according to manufacturer specifications.

6.5 GROUNDING REQUIREMENTS

The site must have a suitable earth ground rod and ground bus installed. The NEMA 12 enclosure, wire ways, conduits, and machine frame must be connected to this ground bus. The EMC-2000 earth ground must be connect to this ground bus.

6.6 POWER ISOLATION

Although the unit is equipped with a fuse and transient voltage protection, it is recommended that the EMC-2000 unit be connected to a separate 24 VDC power supply than the supply used for system I/O. This will isolate noisy I/O contacts from the controller power.

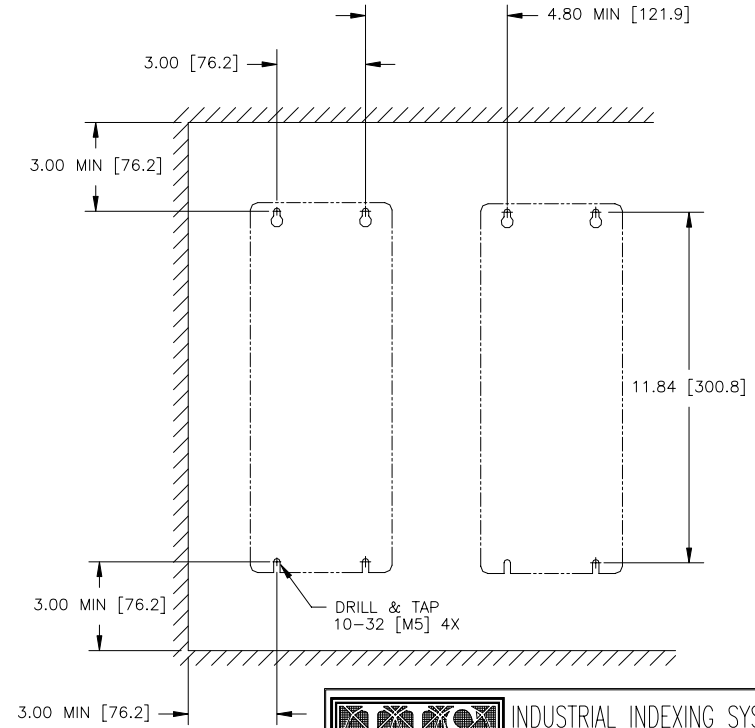
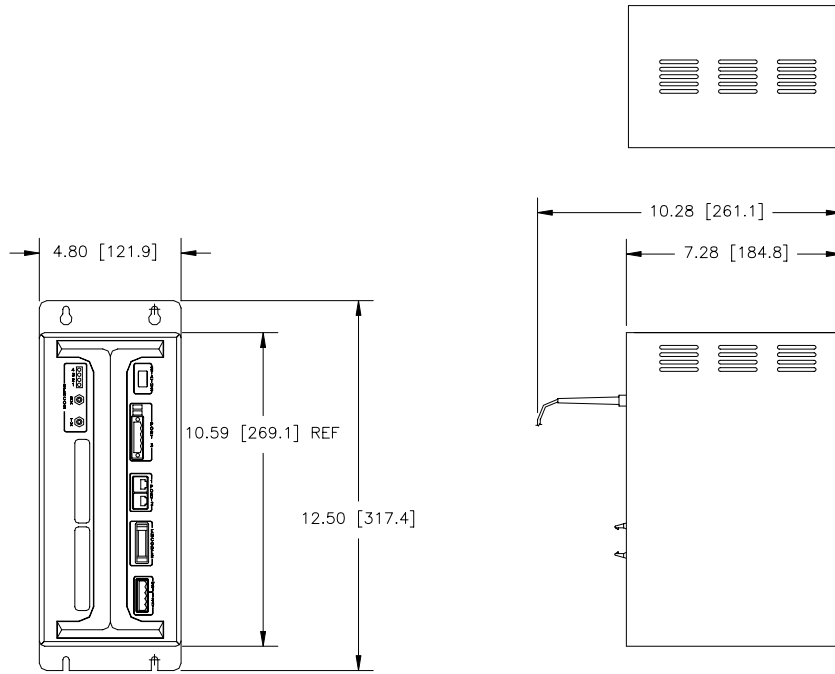
6.7 INSTALLATION DRAWINGS

<u>DRAWING NUMBER</u>	<u>DESCRIPTION</u>
EMC-2000	Emerald Controller

NOTES:

1.) RECOMMENDED CABINET DEPTH TO BE 12.00 [304.8].

DATE	SYM	REVISION RECORD	DR	CK	CK
22JUN00	0	PER ECN 00-033	EB	EB	CDR



THIS DRAWING, AND THE DATA CONTAINED THEREIN, ARE PROPRIETARY INFORMATION OF INDUSTRIAL INDEXING SYSTEMS, Inc. AND IS ISSUED IN STRICT CONFIDENCE, AND IT SHALL NOT BE REPRODUCED, COPIED, OR USED FOR ANY PURPOSE WHATSOEVER, WITHOUT THE PRIOR WRITTEN PERMISSION OF INDUSTRIAL INDEXING SYSTEMS, Inc.

TITLE		CONTROLLER, EMERALD			
UNLESS OTHERWISE SPECIFIED DIMENSIONS ARE INCHES (mm)		DRAWN BY		DRAWING NUMBER	
		BAIER		EMC-2000	
TOLERANCES		AutoCAD FILE LOCATION			
		Q:\DFTG\EMC-2000			
X.XX ± .01	ANGULAR ± 0°30'	DATE	SCALE	SHEET NO.	REVISION
X.XXX ± 0.005		B 22JUN00	NTS	1 OF 1	0

SECTION 7 - CABLES AND ACCESSORIES

DRAWING NUMBER

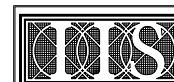
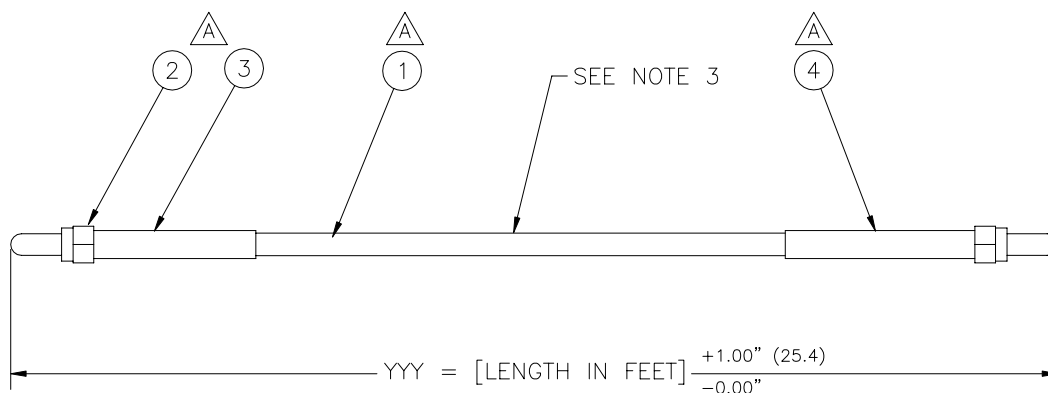
DESCRIPTION

C-752YYY	SERCOS Fiber Optic Cable, External
C-753YYY	SERCOS Fiber Optic Cable, Internal
C-822YYY	Adaptor Cable
C-987YYY	Modular Data Cable
INT-810	Encoder Cable Adapter

NOTES: $\triangle A$

- 1.) SHORT TERM BEND RADIUS - .98 (25 MM)
LESS THAN 1 HOUR, NON-OPERATIONAL.
- 2.) LONG TERM BEND RADIUS - 1.58 (40 MM)
- 3.) MARK PER QP-08-0001.
- 4.) TEST USING TEST PROCEDURE TST-0061.

DATE	SYM	REVISION RECORD	DR	CK	CK
21AUG02	A	PER ECN 02-242	CWB		



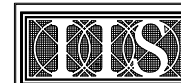
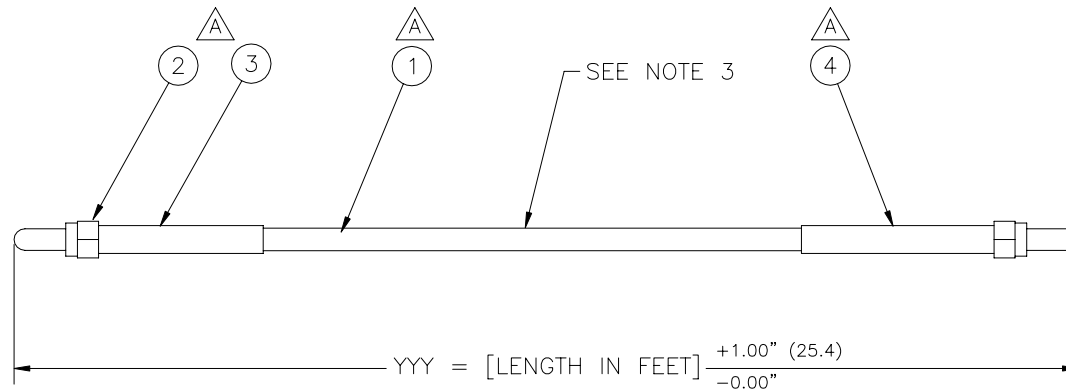
INDUSTRIAL INDEXING SYSTEMS, Inc.
www.iis-servo.com

CHECKED BY CD	DATE 3/7/01	THIS DRAWING, AND THE DATA CONTAINED THEREIN, ARE PROPRIETARY INFORMATION OF: INDUSTRIAL INDEXING SYSTEMS, Inc. AND IS ISSUED IN STRICT CONFIDENCE, AND IT SHALL NOT BE REPRODUCED, COPIED, OR USED FOR ANY PURPOSE WHATSOEVER, WITHOUT THE PRIOR WRITTEN PERMISSION OF: INDUSTRIAL INDEXING SYSTEMS, Inc.			
APPROVED BY J.CARTER	DATE 3/7/01	TITLE CABLE, SERCOS FIBER OPTIC, EXTERNAL			
MATERIAL -----	UNLESS OTHERWISE SPECIFIED DIMENSIONS ARE INCHES (mm)	DRAWN BY BOWMAN	DRAWING NUMBER C-752YYY		
FINISH -----	TOLERANCES X.X± ---- X.XX± ---- X.XXX± ----	ANGULAR ± ----	AutoCAD FILE LOCATION Q:\DFTG\CABLES\C-7XX	DATE 10MAY00	SCALE ---
				SHEET NO. 1 OF 1	REVISION A

NOTES: $\triangle A$

- 1.) SHORT TERM BEND RADIUS - .98 (25 MM)
LESS THAN 1 HOUR, NON-OPERATIONAL.
- 2.) LONG TERM BEND RADIUS - 1.58 (40 MM)
- 3.) MARK PER QP-08-0001.
- 4.) TEST USING TEST PROCEDURE TST-0061.

DATE	SYM	REVISION RECORD	DR	CK	CK
21AUG02	A	PER ECN 02-242	CWB		



INDUSTRIAL INDEXING SYSTEMS, Inc.

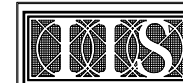
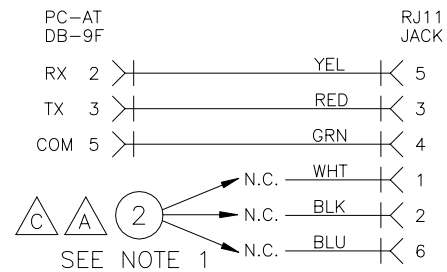
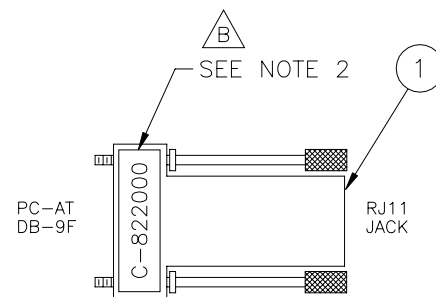
www.iis-servo.com

CHECKED BY CD	DATE 3/7/01	THIS DRAWING, AND THE DATA CONTAINED THEREIN, ARE PROPRIETARY INFORMATION OF INDUSTRIAL INDEXING SYSTEMS, Inc. AND IS ISSUED IN STRICT CONFIDENCE, AND IT SHALL NOT BE REPRODUCED, COPIED, OR USED FOR ANY PURPOSE WHATSOEVER, WITHOUT THE PRIOR WRITTEN PERMISSION OF INDUSTRIAL INDEXING SYSTEMS, Inc.			
APPROVED BY J.CARTER	DATE 3/7/01	TITLE CABLE, SERCOS FIBER OPTIC, EXTERNAL			
MATERIAL -----	UNLESS OTHERWISE SPECIFIED DIMENSIONS ARE INCHES (mm)	DRAWN BY BOWMAN	DRAWING NUMBER C-752YYY		
FINISH -----	TOLERANCES X.X± --- X.XX± --- X.XXX± ---	ANGULAR ± ---	AutoCAD FILE LOCATION Q:\DFTG\CABLES\C-7XX	DATE 10MAY00	SCALE ---
			SHEET NO. 1 OF 1	REVISION A	

DATE	SYM	REVISION RECORD	DR	CK	CK
13MAR01	C	PER ECN 01-070	EB	EB	CDR

NOTES:

- 1.) INSULATE UNUSED WIRES.
- 2.) MARK PER QP-08-0001.



INDUSTRIAL INDEXING SYSTEMS, Inc.

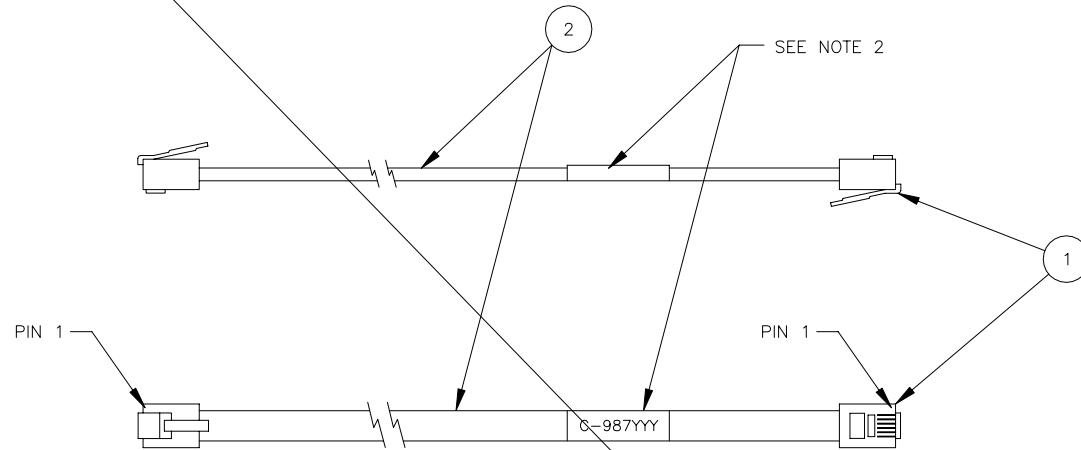
www.iis-servo.com

CHECKED BY	DATE	THIS DRAWING, AND THE DATA CONTAINED THEREIN, ARE PROPRIETARY INFORMATION OF: INDUSTRIAL INDEXING SYSTEMS, Inc. AND IS ISSUED IN STRICT CONFIDENCE, AND IT SHALL NOT BE REPRODUCED, COPIED, OR USED FOR ANY PURPOSE WHATSOEVER, WITHOUT THE PRIOR WRITTEN PERMISSION OF: INDUSTRIAL INDEXING SYSTEMS, Inc.			
APPROVED BY	DATE	TITLE			
ELS	15AUG96	CABLE ADAPTOR, 9P, FE, STANDARD			
APPROVED BY	DATE	DRAWN BY		DRAWING NUMBER	
ELS	10MAY96	BOWMAN		C-822000	
MATERIAL	UNLESS OTHERWISE SPECIFIED DIMENSIONS ARE INCHES (mm)	AutoCAD FILE LOCATION		TOLERANCES	
-----		Q:\DFTG\CABLES\C-8XX		± --	
FINISH	X.X± --	ANGULAR	DATE	SCALE	SHEET NO.
-----	X.XX± --	± --	B 09MAY96	NTS	1 OF 1
	X.XXX± --				REVISION
					C

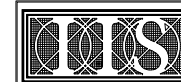
DATE	SYM	REVISION RECORD	DR	CK	CK
		PER ECN		EB	

NOTES:

- 1) CRIMP CABLE (ITEM 2) TO ENDS (ITEM 1) WITH MODULAR CRIMP TOOL, PART No. 1005-6P6C.
- 2) MARK PER OP-08-0001.



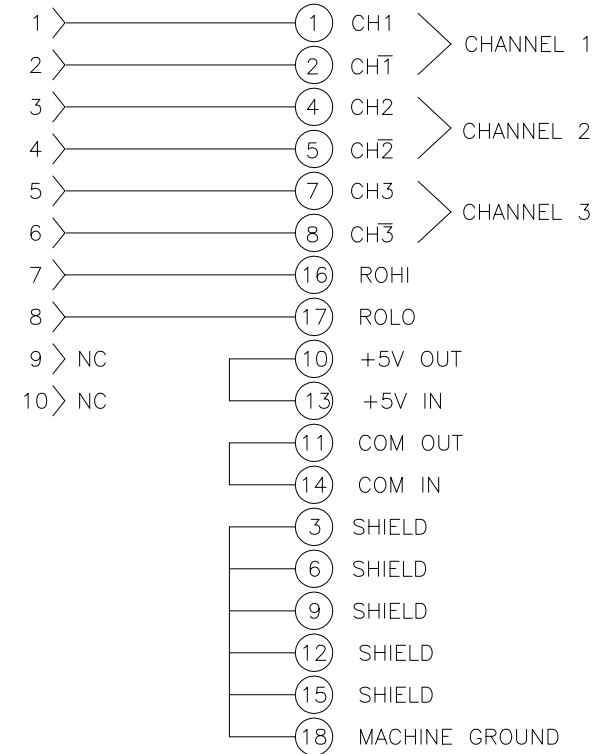
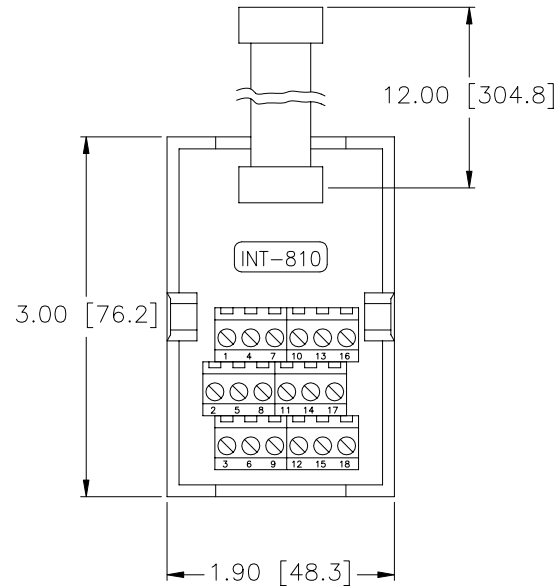
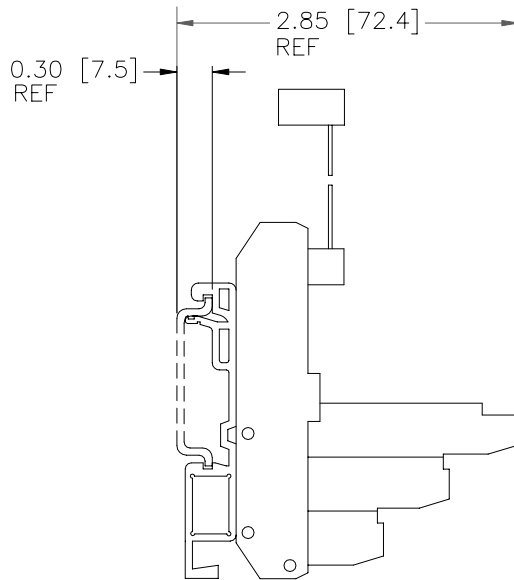
1	←	WHT	→	1
2	←	BLK	→	2
3	←	RED	→	3
4	←	GRN	→	4
5	←	YEL	→	5
6	←	BLU	→	6



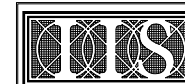
INDUSTRIAL INDEXING SYSTEMS, Inc.
www.iis-servo.com

CHECKED BY E. BAIER	DATE 8/31/92	THIS DRAWING, AND THE DATA CONTAINED THEREIN, ARE PROPRIETARY INFORMATION OF: INDUSTRIAL INDEXING SYSTEMS, Inc. AND IS ISSUED IN STRICT CONFIDENCE, AND IT SHALL NOT BE REPRODUCED, COPIED, OR USED FOR ANY PURPOSE WHATSOEVER, WITHOUT THE PRIOR WRITTEN PERMISSION OF: INDUSTRIAL INDEXING SYSTEMS, Inc.			
APPROVED BY J.C.	DATE 8/31/92	TITLE CABLE, DATA, MODULAR			
MATERIAL		UNLESS OTHERWISE SPECIFIED DIMENSIONS ARE INCHES (mm)	DRAWN BY ERTURK	DRAWING NUMBER	
FINISH		TOLERANCES	AutocAD FILE LOCATION Q:\DFTG\CABLE	C-987YYY	
X.X±	ANGULAR ±	±	DATE B 13AUG92	SCALE ---	SHEET NO. 1 OF 1
X.XX±					REVISION A
X.XXX±					

DATE	SYM	REVISION RECORD	DR	CK	CHK
14MAR01	B	PER ECN 01-099	EB		CDR



ENCODER TO MSC



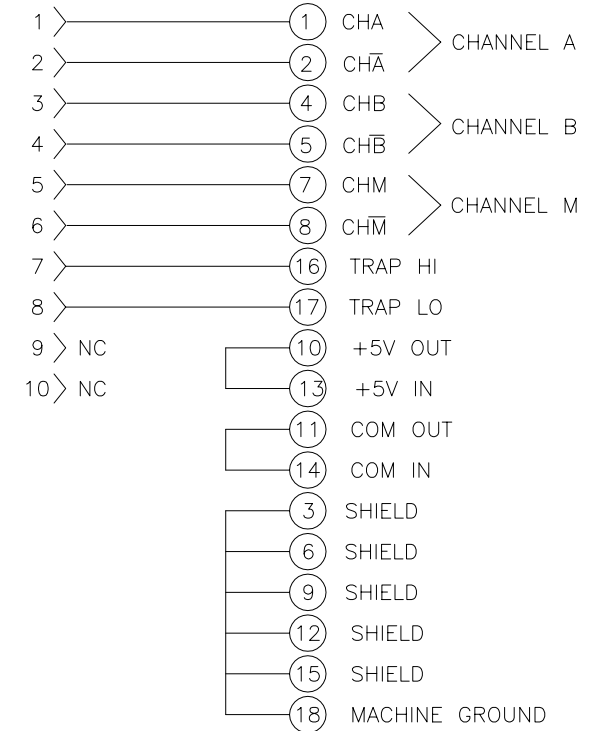
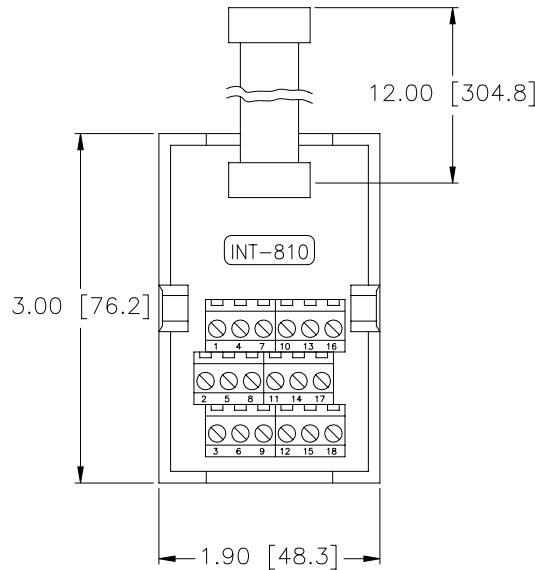
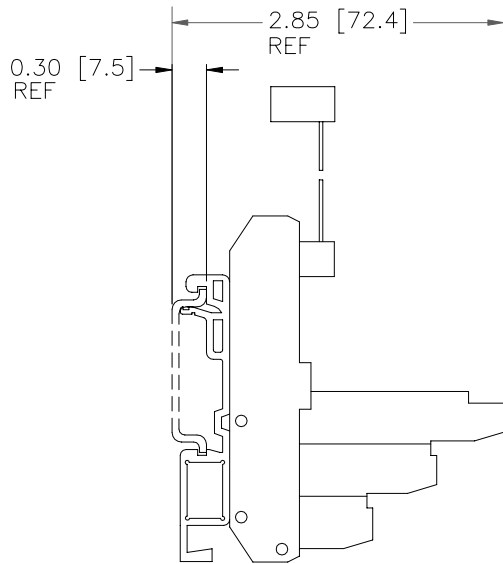
INDUSTRIAL INDEXING SYSTEMS, Inc.

www.iis-servo.com


THIS DRAWING, AND THE DATA CONTAINED THEREIN, ARE PROPRIETARY INFORMATION OF: INDUSTRIAL INDEXING SYSTEMS, Inc. AND IS ISSUED IN STRICT CONFIDENCE, AND IT SHALL NOT BE REPRODUCED, COPIED, OR USED FOR ANY PURPOSE WHATSOEVER, WITHOUT THE PRIOR WRITTEN PERMISSION OF: INDUSTRIAL INDEXING SYSTEMS, Inc.

TITLE					
ADAPTOR, ENCODER CABLE					
UNLESS OTHERWISE SPECIFIED DIMENSIONS ARE INCHES (mm)		DRAWN BY DAUNCE		DRAWING NUMBER	
TOLERANCES		AutoCAD FILE LOCATION		INT-810	
X.X ± --	ANGULAR	O:\DFTG\PWBI\INT-8XX\INT-810		SHEET NO.	REVISION
X.XX ± 0.01	± 0°30'	DATE	SCALE	1 OF 2	B
X.XXX ± 0.005		B 06APR91	NTS		

DATE	SYM	REVISION RECORD	DR	CK	CK
14MAR01	B	PER ECN 01-099	EB		CDR



ENCODER TO EMERALD

		INDUSTRIAL INDEXING SYSTEMS, Inc.		www.iis-servo.com	
		<small>THIS DRAWING, AND THE DATA CONTAINED THEREIN, ARE PROPRIETARY INFORMATION OF: INDUSTRIAL INDEXING SYSTEMS, Inc. AND IS ISSUED IN STRICT CONFIDENCE, AND IT SHALL NOT BE REPRODUCED, COPIED, OR USED FOR ANY PURPOSE WHATSOEVER, WITHOUT THE PRIOR WRITTEN PERMISSION OF: INDUSTRIAL INDEXING SYSTEMS, Inc.</small>			
TITLE					
ADAPTOR, ENCODER CABLE					
UNLESS OTHERWISE SPECIFIED DIMENSIONS ARE INCHES (mm)		DRAWN BY DAUNCE		DRAWING NUMBER	
TOLERANCES		Autocad FILE LOCATION		INT-810	
X.X± --	ANGULAR	Q:\DFTG\PIWB\INT-BXX\INT-810		DATE	
X.XX± 0.01	± 0°30'	DATE		SCALE	SHEET NO.
X.XXX± 0.005		06APR91		NTS	2 OF 2
					REVISION
					B

APPENDIX A - MODEM PMC OPTION BOARD

A.1 MODEM OVERVIEW

The PMC-Modem option board for the Emerald Motion Controller (EMC-2000) has been developed around the Conexant Smart Socket Modem; refer to "www.conexant.com".

The PMC-Modem is a 33.6KBaud modem.

The Emerald Development Environment (EDE) fully supports connection remotely over the phone lines to the EMC-2000 with a PMC-Modem installed.

The PMC-Modem once installed into the EMC-2000 from the factory is configured to Auto-Answer a phone line connection. It will also auto-negotiate the carrier and data baud rates of the United States by just connecting to a direct phone line.

Operation of the PMC-Modem outside the United States can be achieved with minor setup changes to the modem.

A.2 POWER REQUIREMENT

The PMC-Modem option board requires an addition 2.5 watts maximum from the EMC power supply, therefore when sizing the 24VDC power supply for the EMC-2000 be a little generous and add about .2 Amps of current for each Modem installed.

A.3 WIRING

The PMC-Modem accepts a standard phone RJ11 connector, therefore RING is on PIN-3 and TIP is on PIN-4.

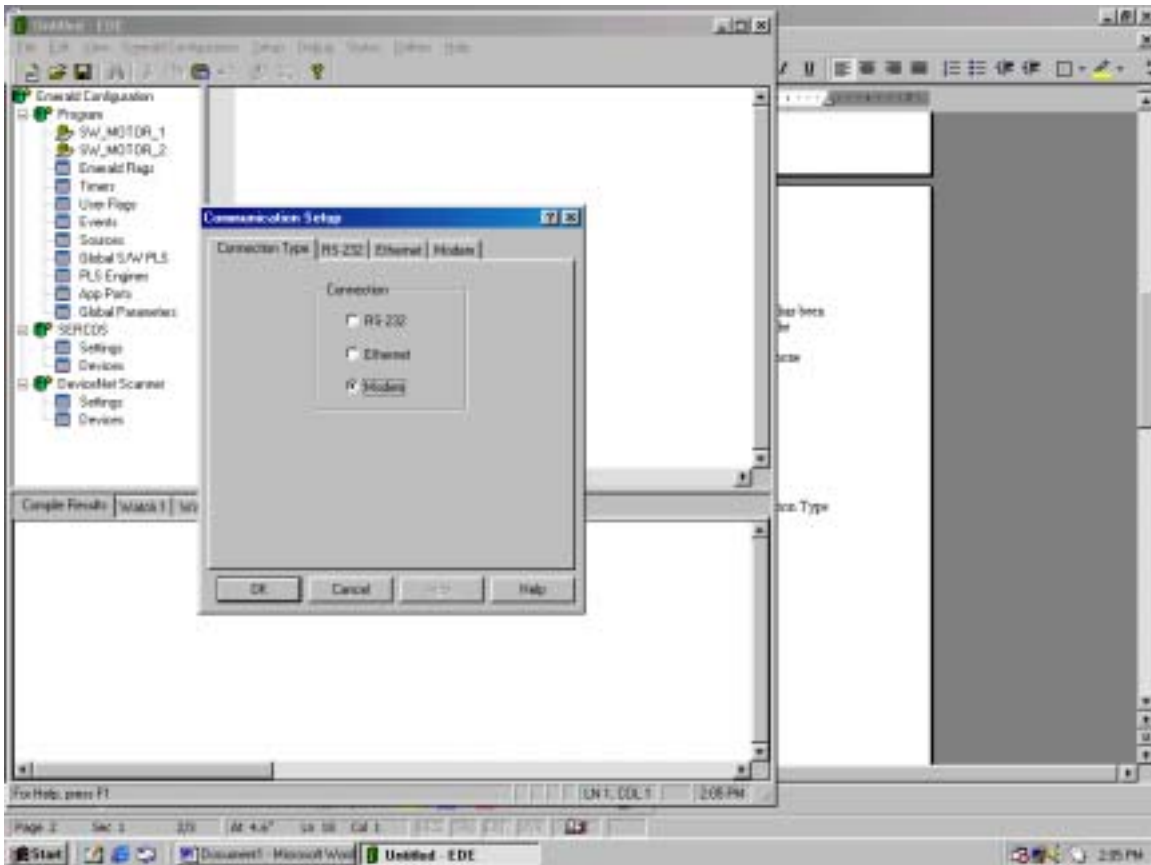
A.4 EDE SETUP FOR MODEM COMMUNICATION

The EDE is a PC Windows application developed by Industrial Indexing Systems to program the Emerald Motion Controller. The EDE can be configured to communicate remotely with the EMC via RS232, ETHERNET, or MODEM.

For remote access to the EMC-2000 with a PMC-Modem it is necessary to configure the EDE for communication via modem. It is required that the PC running the EDE has an installed modem.

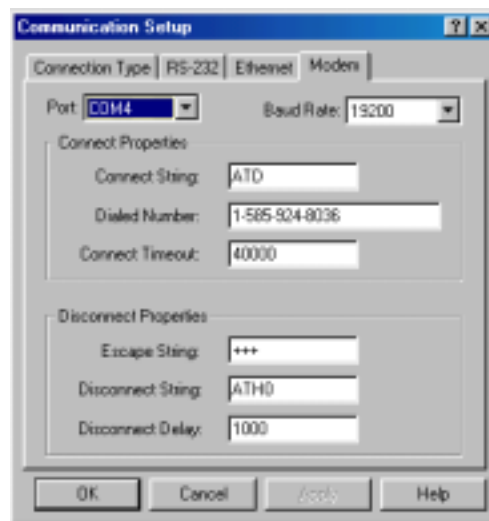
A.4.1 SELECT MODEM FOR CONNECTION

From EDE tool bar go to **Setup** then select **Communication**, once the screen for connection Type appears select **Modem** as shown below.



A.4.2 MODEM EDE CONFIGURATION SCREEN

When the EDE is not connected to a controller the modem settings for the PC in which the EDE is running from can be change from the Modem Communication Setup Screen as seen below.



Port: Allows selection of the COM port in which the modem resides on the development platform (PC). The COM port for the modem in any PC running Windows 98 and higher may be gotten from the System display in the Control Panel.

1. Double Click on My Computer from the Windows Desk Top.
2. Double Click on Control Panel.
3. Double Click on Modem.
4. Select Desired Modem from Pull down then click on properties.

Baud Rate: Allows user selection for desired bit rate. The PMC-Modem will operate up to a Baud Rate of 28800, however depending on phone line integrity slower rates may have to be used for error free operation. It's possible to select the highest rate available and let the modems auto-negotiate to the best rate under current line conditions.

A.4.3 CONNECTION PROPERTIES

Connect String: Allows user selection of the string to originate a call via the modem. Most modems will work with a setting of ATD; this is an ASCII Terminal Command to the modem.

Diald Number: Allows user to select the phone number to connect to the EMC-2000. For the EDE to connect to an EMC-2000 with a Modem, the EMC-2000 needs to be plugged into a phone line, this phone line must have a number to be entered here.

NOTE
The EMC-2000 modem should be plugged into a direct phone line and not one in which the line goes thru an operator or switchboard.

Connection Timeout: Allows the user select the amount of time to wait for the connection to the EMC-2000 to take place.

A.4.4 DISCONNECT PROPERTIES

Escape String: Allows user selection of string to tell the modem to drop from data mode and accept ASCII Terminal Commands.

Disconnect String: Allows user selection to tell the modem to Hang-Up. Most modems will work with a setting of ATH0; this is an ASCII Terminal Command.

Disconnect Delay: Allows the user to select the time in which the EDE should wait for the modem to disconnect.

A.5 EMC ASCII TERMINAL MODE

ASCII Terminal mode is a typical means of communicating with any modem directly no matter what the platform it resides. ASCII Terminal communication is accomplished over Port 1 of the EMC-2000 to the modem plugged into one of the EMC's PMC Option Slots. To communicate to the PMC-Modem in this manner it is necessary to use a terminal emulator such as HyperTerminal. HyperTerminal is shipped with most Microsoft Windows Products, it can be found in the Accessories/Communications folder.

HyperTerminal Setup/Properties:

1. Connect using: Direct to COMx
2. Configure
 - a. Bits per second: 38400
 - b. Data bits: 8
 - c. Parity: None
 - d. Stop bits: 1
 - e. Flow Control: None
3. ASCII setup:
 - a. Enable typed characters locally.

In step 1 above, replace COMx with the COM port of the PC in which the modem resides. For instance, if the modem in the PC was configured on the fourth COM Port use COM4.

Once ASCII Terminal Emulator is setup type in "AT?<cr>" for the EMC's ASCII Terminal help screen to be displayed.

If characters are not displayed in the ASCII Terminal window as they are typed in, the user may ask the EMC-2000 to echo them by typing in "AT;E1<cr>".

NOTE: <cr> is the Enter key on the PC keyboard.

A.6 PMC-MODEM LEDES

The PMC-Modem has four status LEDs; see description below:

Tx: A green LED that turns on when ever the PMC-Modem is transmitting data out the phone line.

Rx: A yellow LED that turns on when ever the PMC-Modem is receiving data from the phone line.

On: A green LED with three statuses:

- FLASHING - When the Modem phone line is ringing for the EMC Modem to pick up.
- SOLID ON - Modem normal indication, indication that self-tests passed and successful initialization, modem is ready to Auto-Answer. The On LED should stay LIT after answering and during a connection.
- SOLID OFF - Modem initialization failed, modem not operational, contact factory.

Ct: A red LED with two statuses:

- SOLID OFF - No carrier detected, modem is waiting for a connection.
- SOLID ON - Carrier has been detected; modem has a connection and is awaiting data. Data is present when Rx and Tx LEDs are FLASHING.

All LEDs are on during initial power-up, booting, of the EMC when the EMC's Status Display is a "b", but then should transition to just the **On** LED turned ON once the boot cycle is complete. If during power-up the Modem should fail any of the initialization all its LEDs are turned OFF, this is an indication that the modem is not operational.

A.7 EMC STATUS DISPLAYS FOR PMC-MODEM

The EMC will monitor the PMC-Modem operation and display any errors it detects as follows:

Flashing "=" then "0": Top PMC slot modem receiver over run error.

Flashing "=" then "1": Top PMC slot modem framing error.

Flashing "=" then "2": Top PMC slot modem parity error.

Flashing "=" then "3": Top PMC slot modem break mode error.

Flashing "=" then "4": Top PMC slot modem reserved.

Flashing "=" then "5": Top PMC slot modem inter-character timeout.

For a modem in the Bottom PMC slot replace the "=" character with the "-" character.

A.8 OPERATION OUTSIDE OF UNITED STATES

The PMC-Modem can be setup to operate outside of the United States by setting one of its available country codes.

COUNTRY	CODE	COUNTRY	CODE	COUNTRY	CODE
Australia	09	Hong Kong	50	Norway	82
Austria	0A	Hungry	51	Philippines	89
Belgium	0F	India	53	Poland	8A
Brazil	16	Ireland	57	Portugal	8B
Bulgaria	1B	Israel	58	Russia	B8
Canada	20	Italy	59	Singapore	9C
China	26	Japan	00	South Africa	9F
Czech and Slovak Rep.	2E	Korea	61	Spain	A0
Denmark	31	Luxemburg	69	Sweden	A5
Finland	3C	Malaysia	6C	Switzerland	A6
France	3D	Mexico	73	Taiwan	FE
Germany	42	Netherlands	7B	United Kingdom	B4
Greece	46	New Zealand	7E	United States	B5

If the desired country for installation doesn't appear in the table, it is recommended that the operator try a country within the same region. For example, if it is desired to install an EMC-2000 with a modem in South America, it's suggested to use Brazil's country code.

The country code may be set using the ASCII Terminal Mode over Port 1 (RS232) of the controller, or within the application using EMC-2000 programming instructions.

A.9 EMC MODEM PROGRAMMING INSTRUCTIONS

Using the EMC-2000's programming language it is possible to configure a PMC-Modem to operate as needed per an application.

It is intended that an application program could achieve the following:

- Set the modems country of installation setting.
- Retrieve the modems country of installation setting.

To avoid confusion the list of instructions and an explanation of there usage is maintain in the EDE, please refer to the EDE help for further information when programming the PMC-Modem.

APPENDIX B - ETHERNET PMC ETHERNET BOARD

B.1 ETHERNET OVERVIEW

The PMC-Ethernet card enables the application programmer to run the EDE software tools via Ethernet.

The PMC-Ethernet card creates an embedded XML document, which allows data to be transferred between a web application and the Emerald Motion Controller (EMC-2000). The application programmer can specify the exact nature of the resources available to the XML.

B.2 POWER REQUIREMENT

The PMC-Ethernet card requires an addition 4.8 watts maximum from the EMC power supply, therefore when sizing the 24VDC power supply for the EMC-2000 add .25 Amps of current for each Ethernet card installed.

B.3 WIRING

The PMC-Modem accepts a standard RJ-45 plug, therefore PIN-1 is Input Receive Data +, PIN-2 is Input Receive Data -, PIN-3 Output Transmit Data +, PIN-6 Output Transmit Data -, and pins 4,5,7, and 8 are not used.

B.4 PMC-ETHERNET LEDS

The PMC-Modem has four status LEDs; see description below:

Rx: A green LED that turns on when ever the PMC-Ethernet card is receiving data.

Tx: A yellow LED that turns on when ever the PMC-Ethernet card is transmitting data.

L: A green LED that turns on when there is a valid link exists.

100: A yellow LED that is on when the unit is set in 100 Mbits/s mode.

B.5 EDE SETUP FOR ETHERNET COMMUNICATION

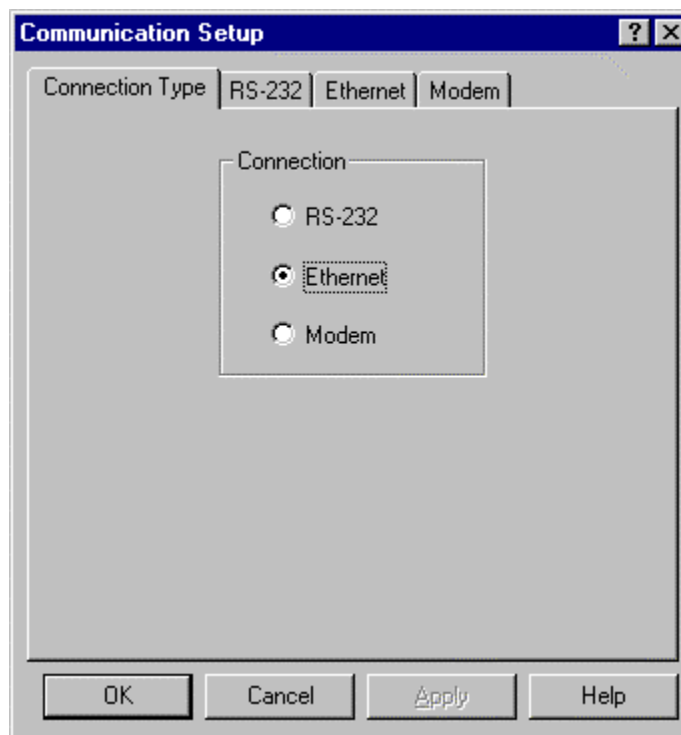
The EDE is a PC Windows application developed by Industrial Indexing Systems to program the Emerald Motion Controller. The EDE can be configured to communicate remotely with the EMC via RS232, ETHERNET, or MODEM.

For remote access to the EMC-2000 with a PMC-Ethernet card, it is necessary to configure the EDE for communication via Ethernet. It is required that the PC running the EDE has an Ethernet connection.

B.5.1 SELECT ETHERNET FOR CONNECTION TYPE

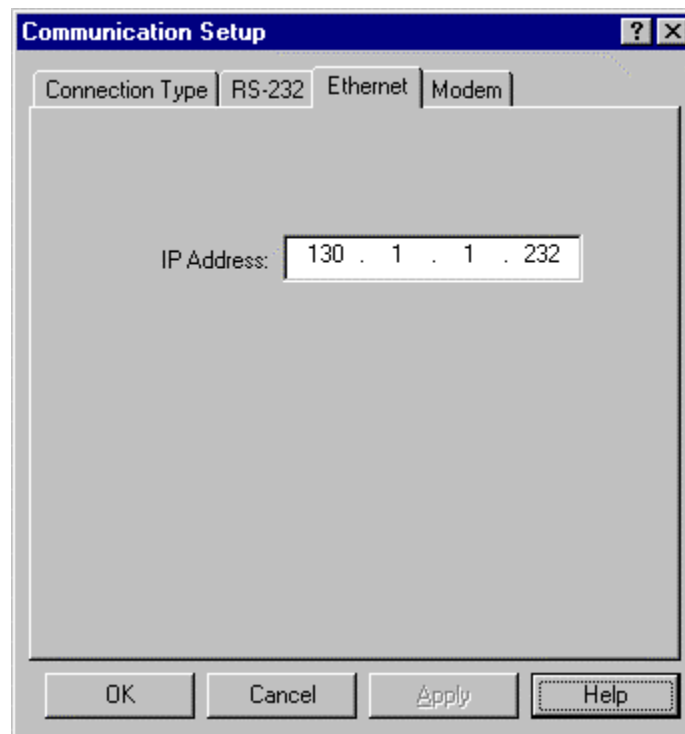
From the EDE toolbar go to **Setup** then select **Communication**, once the screen for Connection Type appears select **Ethernet** as shown below.

NOTE
To be able to select communication, the EDE must not be currently connected.



B.5.2 ETHERNET EDE CONFIGURATION SCREEN

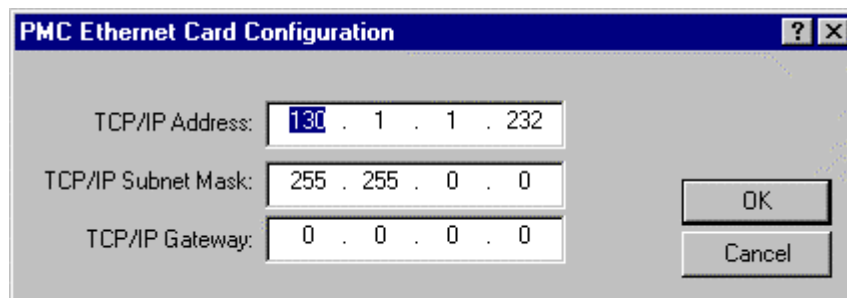
After the Connection Type is set to Ethernet, select the Ethernet tab and the screen below will be displayed.



IP Address: This needs to be set to the IP Address of the Emerald controller that you desire to communicate to. After this value is entered, the EDE should be able to communicate over the Ethernet to the desired controller by selecting debug then connect from the EDE toolbar.

B.6 ETHERNET CARD SETUP

While you are connected using either RS-232 or Modem, from the EDE toolbar go to **Emerald Configuration** then select **PMC Cards** and then the Ethernet card from the desired slot. If Ethernet card is not displayed in the list, then the Emerald controller is not recognizing that the card is installed. After selected the desired Ethernet card the following window will be displayed:



These settings can be modified to the desired settings while connected.

B.7 GLOBAL PARAMETERS

Using the EMC-2000's programming language it is possible to configure 128 Global parameters. These parameters are accessible through XML and controlled through the global parameter configuration.

The screenshot shows the 'New Parameter' dialog box with the 'Parameter Settings' tab selected. The 'Name' field is 'speed', 'Data Type' is 'Data - Short', 'Quantity' is '1', and 'Precision' is '0'. The 'Read Only' checkbox is checked. 'Default Value', 'Min Value', and 'Max Value' are all set to '0'. Buttons for 'OK', 'Cancel', 'Apply', and 'Help' are at the bottom.

Name: The name field must match a name used in the configuration section or program area of the selected data type.

Data Type: The type of data that is specified in the name field.

Quantity: This field is only used for data types that can be arrays. The number entered should be the same size or less than the size of the array.

Default Value: This value is currently not being used.

Read Only: If this box is checked the user cannot write any information to this parameter over a network connection.

Min Value: This value will limit the value written to this parameter.

Max Value: This value will limit the value written to this parameter.

The screenshot shows the 'New Parameter' dialog box with the 'Display Setup' tab selected. The 'Multiplier' field is '1', 'Offset' is '0', 'Divisor' is '1', 'Units String' is 'NONE', and 'Help String' is 'NONE'. Buttons for 'OK', 'Cancel', 'Apply', and 'Help' are at the bottom.

B.7 GLOBAL PARAMETERS (cont'd)

The values on this tab of the global parameters can be used to modify the actual value for display purposes.

The following formulas should be used for data types short, long, text, short ext memory, and long ext memory by the web page developer to input a value to the controller and to display a value returned from the controller:

$$\text{Displayed Value} = \frac{(\text{Emerald value} + \text{offset}) * \text{multiplier}}{\text{divisor} * (10 \wedge \text{precision})}$$

NOTE: The value displayed should contain the number of decimal places of the entered precision.

$$\text{Value written to Emerald} = \frac{\text{value entered} * \text{divisor} * (10 \wedge \text{precision})}{\text{multiplier}} - \text{offset}$$

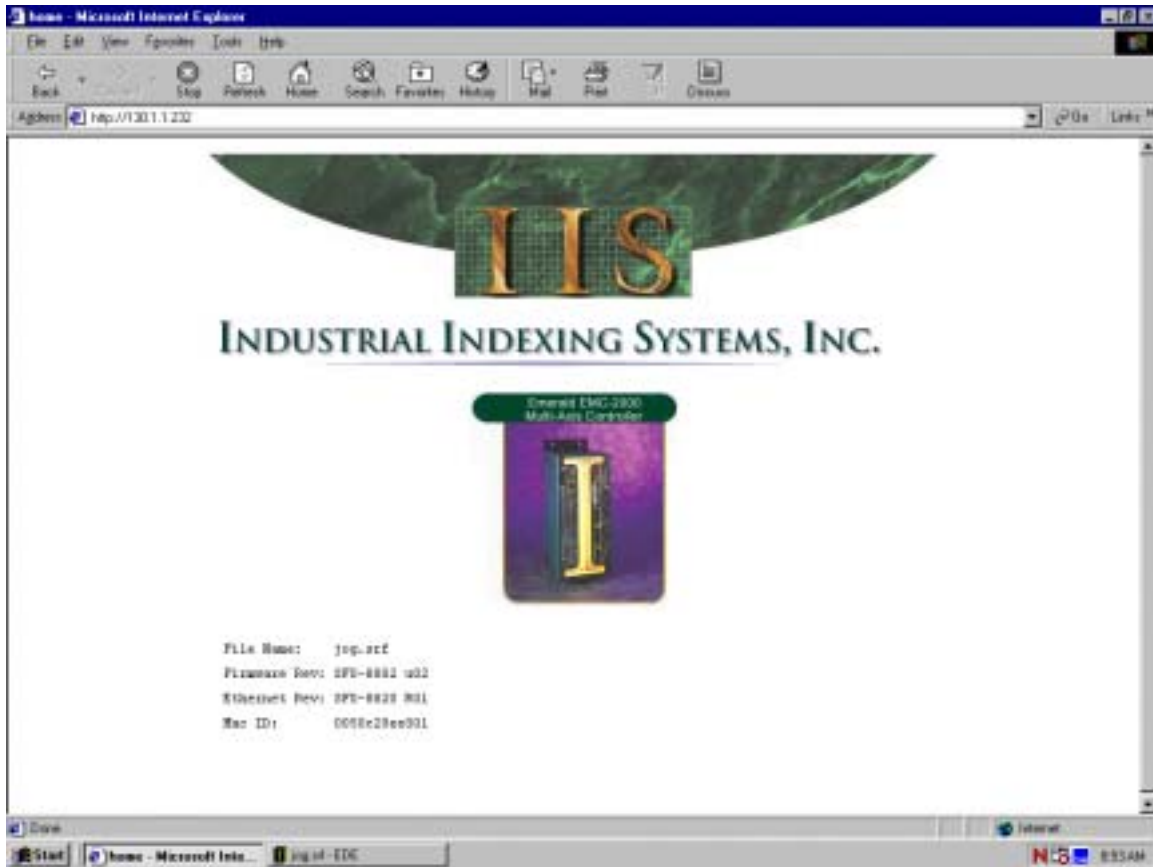
NOTE: When the Emerald receives the value it is compared against the min and max limits. If a value is greater then the max limit the number is set equal to the max limit before it is written to the emerald memory. If a value is less then the min limit it is set equal to the min limit value before it is written to the emerald memory.

The unit's string is served up as part of the XML document.

The help string is not currently used.

B.8 DEFAULT WEB PAGE

The PMC-Ethernet card will serve up a home page as shown below:



File Name: Program Currently loaded in the Emerald Controller.

Firmware Rev: Revision of firmware currently in the Emerald Controller.

Ethernet Rev: Revision of firmware in the Ethernet card.

Mac ID: Ethernet Mac ID.

B.9 SAMPLE XML DOCUMENT

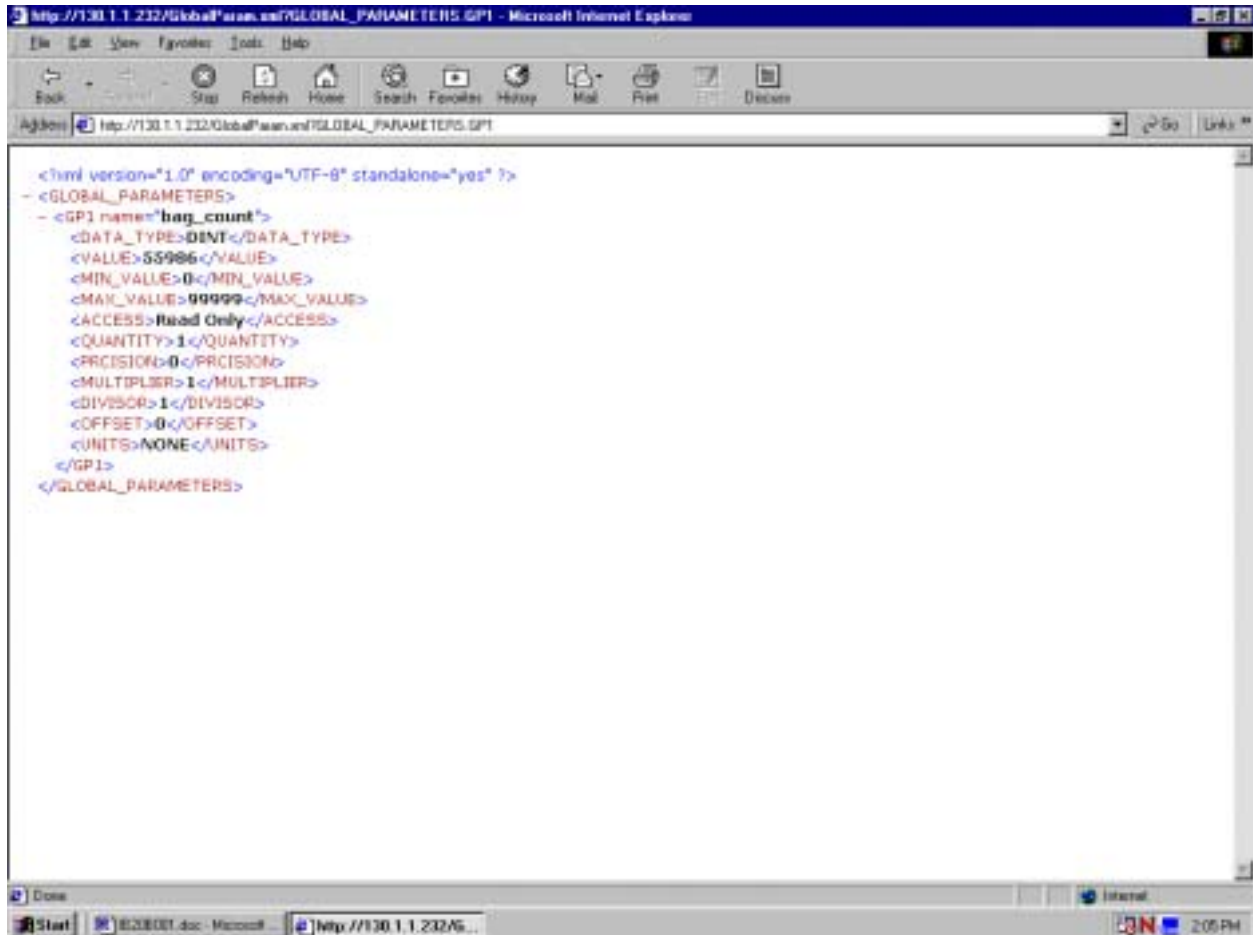
For web page developers the PMC-Ethernet card will serve up an embedded XML document. The document contains application specific data defined during application development using Global Parameter configuration. This document is available through the home page address/GlobalParam.xml. If a value has a quantity greater than 1, then a comma will separate the values returned. If a value is displayed as <VALUE>123,34,12</VALUE> the quantity would be 3. Floating point numbers will be returned in an exponential format with 10 decimal places.

```

<?xml version="1.0" encoding="UTF-8" standalone="yes" ?>
- <GLOBAL_PARAMETERS>
- <GP1 name="bag_count">
  <DATA_TYPE>DINT</DATA_TYPE>
  <VALUE>50828</VALUE>
  <MIN_VALUE>0</MIN_VALUE>
  <MAX_VALUE>99999</MAX_VALUE>
  <ACCESS>Read Only</ACCESS>
  <QUANTITY>1</QUANTITY>
  <PRECISION>0</PRECISION>
  <MULTPLIER>1</MULTPLIER>
  <DIVISOR>1</DIVISOR>
  <OFFSET>0</OFFSET>
  <UNITS>NONE</UNITS>
</GP1>
- <GP2 name="CLEAR_COUNT">
  <DATA_TYPE>BOOL</DATA_TYPE>
  <VALUE>OFF</VALUE>
  <MIN_VALUE>OFF</MIN_VALUE>
  <MAX_VALUE>ON</MAX_VALUE>
  <ACCESS>Read Write</ACCESS>
  <QUANTITY>0</QUANTITY>
  <PRECISION>0</PRECISION>
  <MULTPLIER>1</MULTPLIER>
  <DIVISOR>1</DIVISOR>
  <OFFSET>0</OFFSET>
  <UNITS>NONE</UNITS>
</GP2>
</GLOBAL_PARAMETERS>
    
```

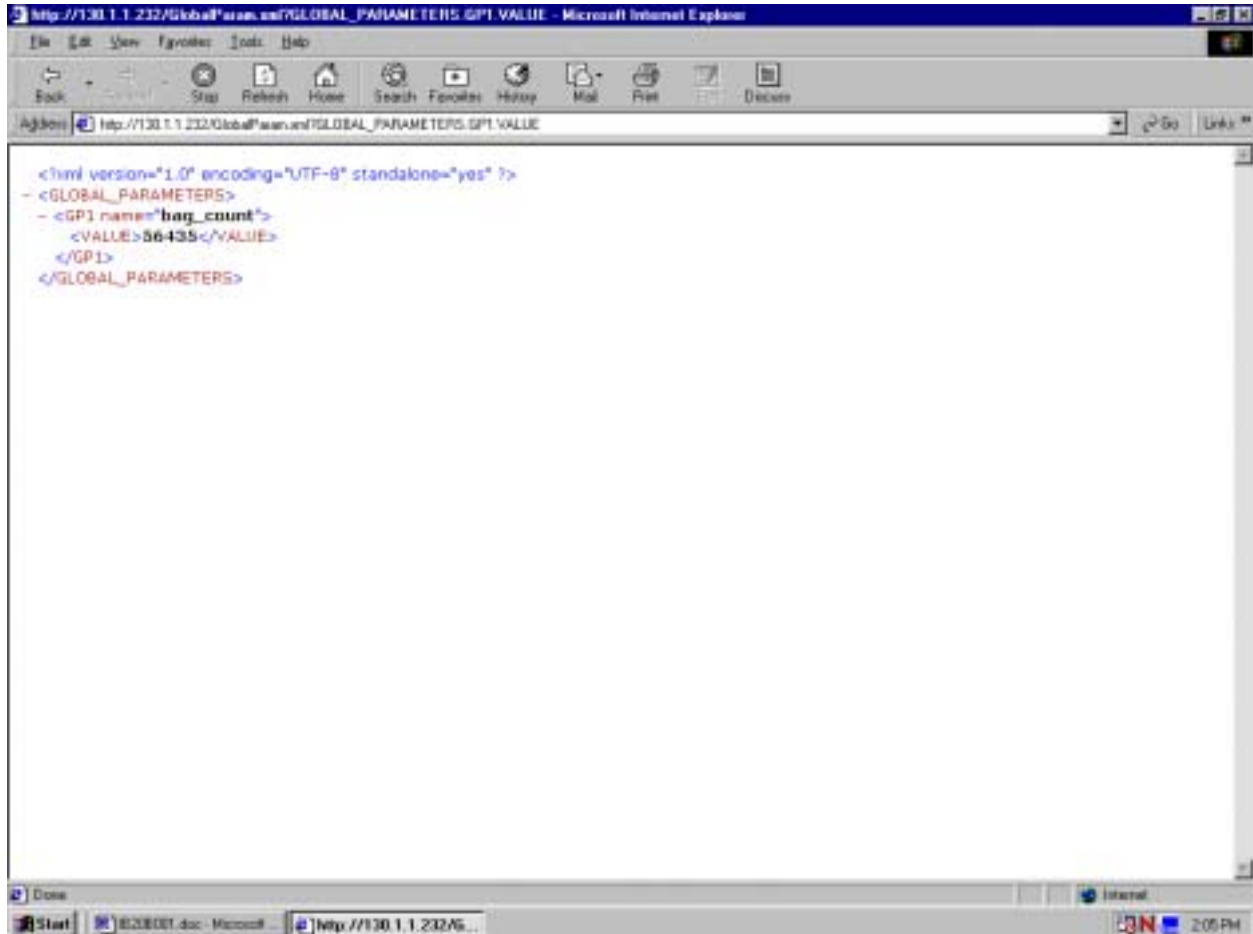
B.10 SAMPLE GLOBAL PARAMETER

To obtain an individual Global Parameter enter the home page address/GlobalParam.xml?GLOBAL_PARAMETER.GPXX where XX is the desired parameter number. If a value has a quantity greater than 1, then a comma will separate the values returned. If a value is displayed as <VALUE>123,34,12</VALUE> the quantity would be 3. Floating point numbers will be returned in an exponential format with 10 decimal places.



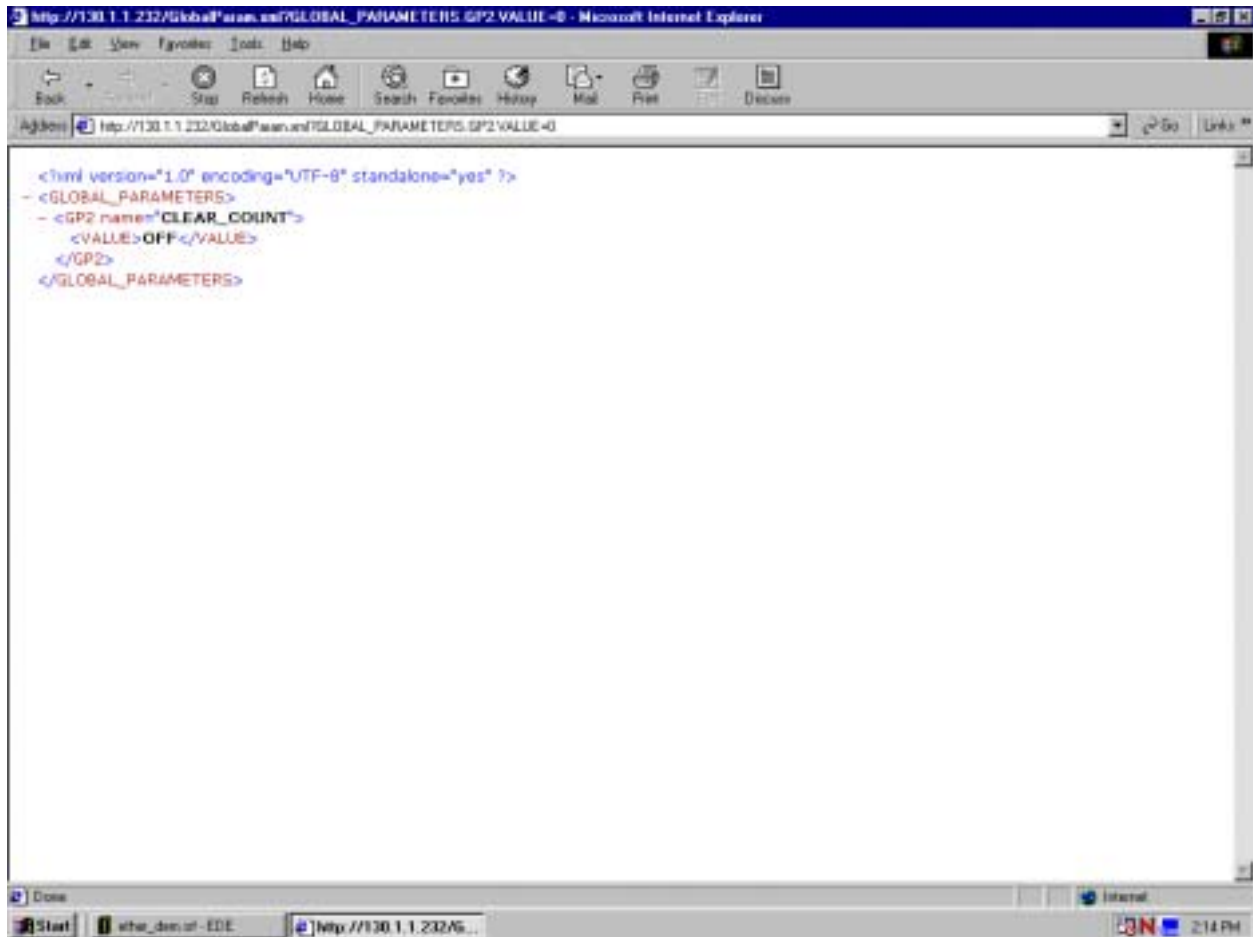
B.11 SAMPLE GLOBAL PARAMETER VALUE

To obtain an individual Global Parameter value enter the home page address/GlobalParam.xml?GLOBAL_PARAMETER.GPXX.VALUE where XX is the desired parameter number. If a value has a quantity greater than 1, then a comma will separate the values returned. If a value is displayed as <VALUE>123,34,12</VALUE> the quantity would be 3. Floating point numbers will be returned in an exponential format with 10 decimal places.



B.12 SAMPLE SETTING A GLOBAL PARAMETER VALUE

To set an individual Global Parameter value enter the home page address/GlobalParam.xml?GLOBAL_PARAMETER.GPXX.VALUE=YYY where XX is the desired parameter number and YYY is the desired input value. The page that will be displayed in the browser is the get a parameter value page. To enter several values to a Global Parameter with a quantity greater than 1, enter the home page address/GlobalParam.xml?GLOBAL_PARAMETER.GPXX.VALUE=YYY,ZZZ where XX is the desired parameter with a quantity greater than 1, YYY is the first value, and ZZZ is the second value. If the Global Parameter is a flag setting the value to 0 will turn it off while setting it to one will turn on the flag. In order to write a value to the controller memory, the Global Parameter must not be read only. Before a value is written, it is compared against the min and max parameter values. If the value is greater than the max value, then the max value will be written. If the value is less than the min value, then the min value will be written to memory.

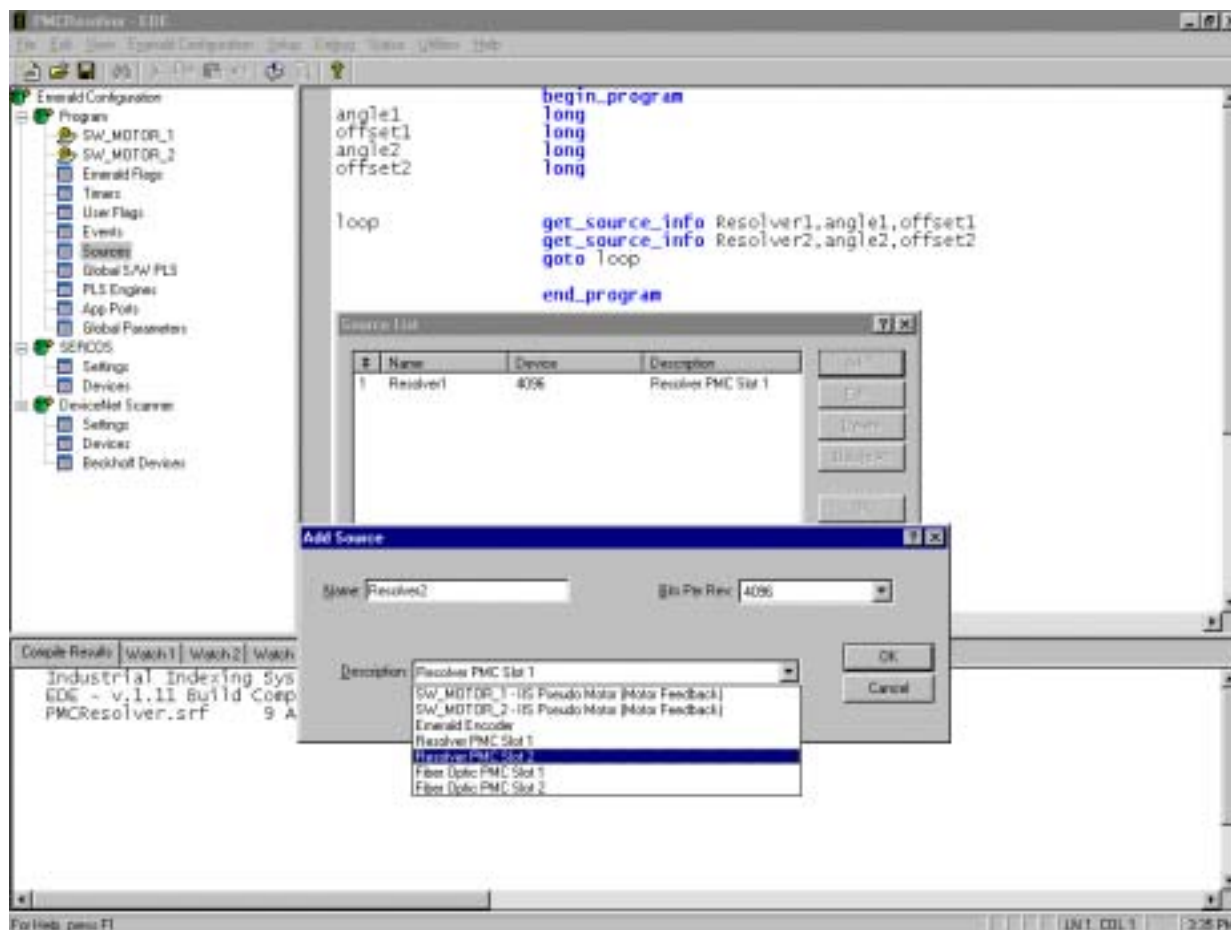


C.5 PMC-RESOLVER CARD SETUP

To utilize the resolver position feedback from a PMC-Resolver card in an application, the card must be configured as a Master Position Source in the application.

C.5.1 CONFIGURING A RESOLVER AS A MASTER POSITION SOURCE

To configure the PMC-Resolver card as a source first determine which PMC option slot location the card is installed (See **Section 2, Figure 2.1**). From the Emerald Configuration tree select "SOURCES". A Source List dialog box will appear. From the Source list dialog box select "Add" button to add a source. The Add Source Dialog box will appear. In the Add Source dialog box name your source and select "Resolver PMC Slot 1" or "Resolver PMC Slot 2" as the description.



You will then need to set the bit resolution of the position feedback in bits per rev. The table below defines the maximum shaft speed the resolver for a given bit resolution. A shaft speed above the Maximum for a given resolution will cause a fault on the card and may return errors in the resolver position.

Resolution (Bit)	Bits Per Revolution	Max Resolver Shaft Speed	Description
10	1024	14400	10 Bit Mode
12	4096	3600	12 Bit Mode
14	16384	900	14 Bit Mode
16	65536	225	16 Bit Mode

D.2 SPECIFICATIONS

D.2.1 POWER REQUIREMENTS

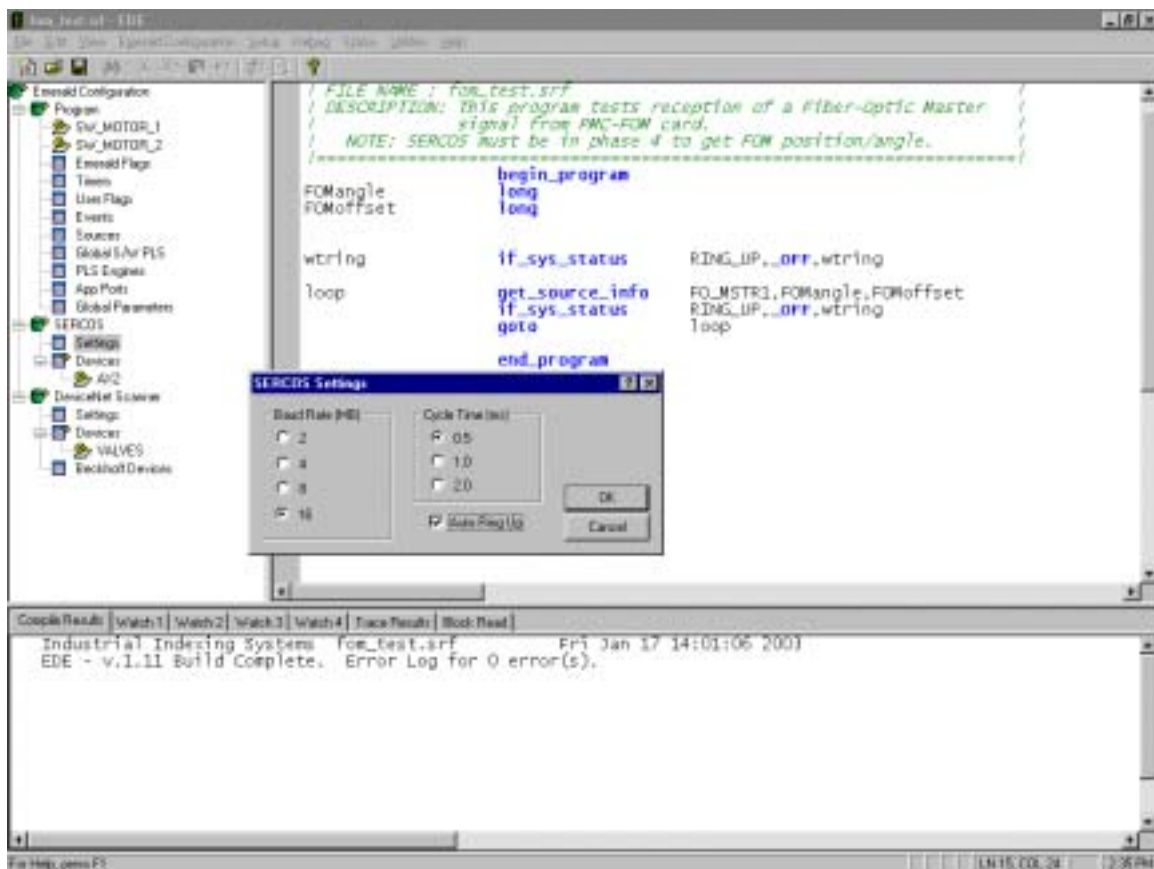
The PMC-FOM card requires an additional 2.5 watts maximum from the EMC power supply, therefore when sizing the 24VDC power supply for the EMC-2000 add .2 Amps of current for each PMC-FOM Card installed.

D.2.2 OPTICAL MASTER PROPIGATION

Master Signal Reception to Master Signal Transmission to be within 200 nanoseconds.

D.2.3 MASTER POSITION UPDATE

Fiber Optic Master Signal is conditioned internally by the EMC-2000 at the SERCOS cycle time. The SERCOS cycle time is setup within the SERCOS settings as shown below:



D.3 DESCRIPTION

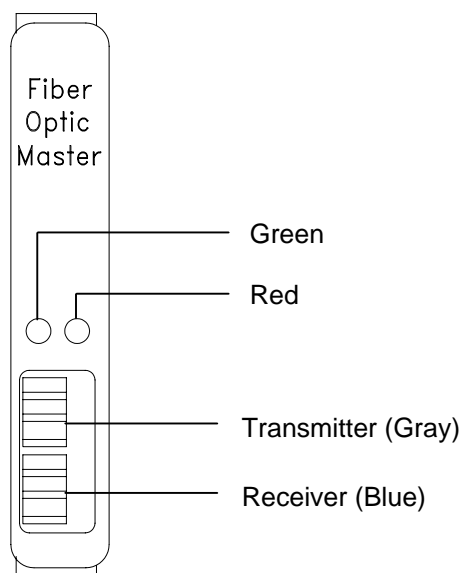


Figure D.2 - Fiber Optic Master Description

D.4 PMC-FOM LEDS

The PMC-FOM card has two status LEDs:

A green LED that turns on at power up and remains on if the PMC-FOM card is initialized correctly by the EMC-2000. Once the EMC-2000 controller has successfully brought up its SERCOS control ring and the Fiber-optic signal from the PMC-FOM has no signal the ON green LED will flash.

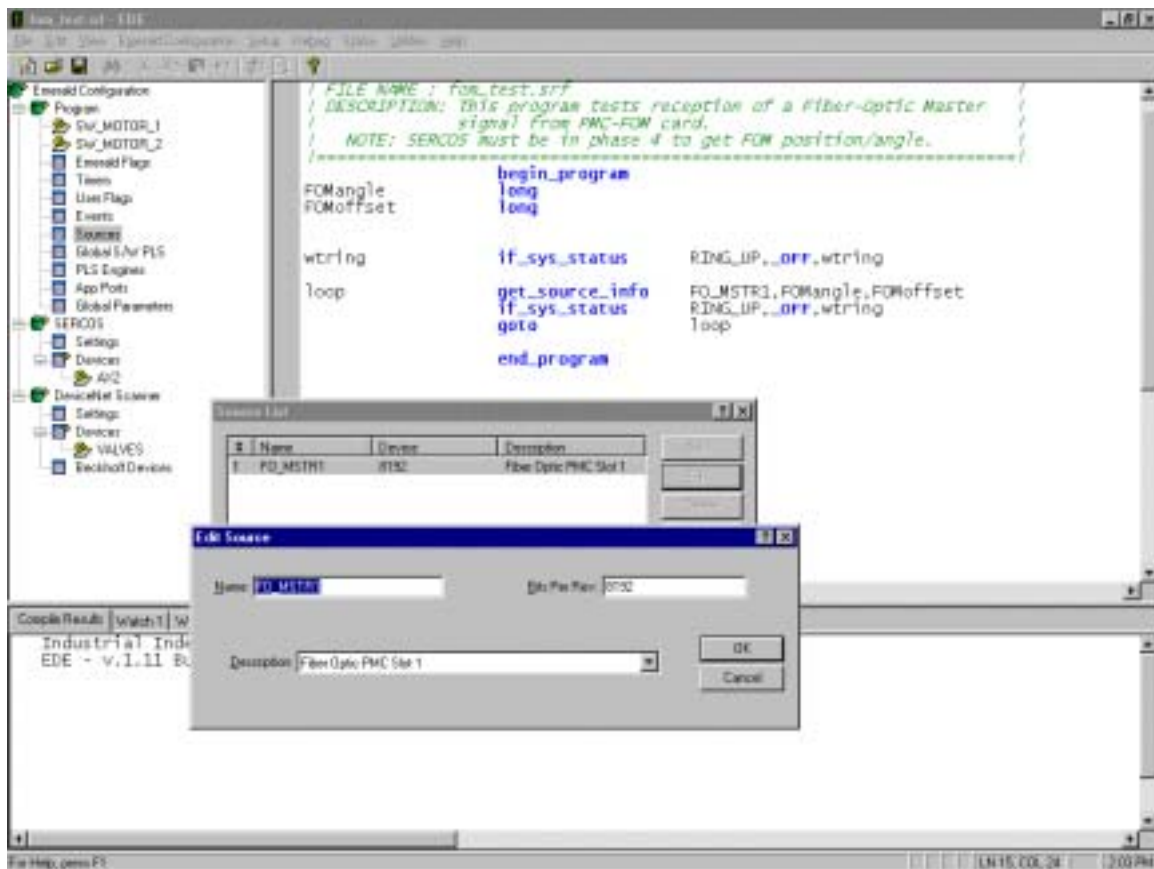
A red LED that turns on at power up and goes out after the EMC-2000 initializes the PMC-FOM card and no fault exists on the card. If the red LED is on with no Fiber-optic cable connected to the receiver the EMC-2000 was not able to initialize the card. If the red LED is on only when receiving a fiber-optic signal, then check for incorrect transmission rate settings at the Fiber-Optic Master source.

D.5 PMC-FOM CARD SETUP

To utilize the Fiber-Optic position feedback from a PMC-FOM card in an application, the card must be configured as a Master Position Source in the application.

D.5.1 CONFIGURING A PMC-FOM AS A MASTER POSITION SOURCE

To configure the PMC-FOM card as a source first determine which PMC option slot location the card is installed (See **Section 2, Figure 2.1**). From the Emerald Configuration tree select "SOURCES". A Source List dialog box will appear. From the Source list dialog box select "Add" button to add a source. The Add Source Dialog box will appear. In the Add Source dialog box name your source and select "Fiber Optic PMC Slot 1" or "Fiber Optic PMC Slot 2" as the description.



You will then need to set the bit resolution of the position feedback in bits per rev expected from master source transducer and IIS Fiber-Optic converter, typically an EFC or RFC connected to a encoder or resolver respectively.

APPENDIX E - SMARTMEDIA MEMORY PMC OPTION BOARD

E.1 SMARTMEDIA MEMORY OVERVIEW

The optional PMC-SmartMedia board facilitates EMC-2000 Application Program and Operating System Firmware uploads from power-up, using readily available "SmartMedia Memory Cards" (herein referred to as just SmartMedia). SmartMedia can be obtained from local retailers in the business of supplying consumer electronic and computer equipment.

E.2 SPECIFICATIONS

E.2.1 POWER REQUIREMENTS

The optional PMC-SmartMedia board requires an additional 2.5 watts maximum from the EMC power supply, therefore when sizing the 24VDC power supply for the EMC-2000 add .2 Amps of current.

E.2.2 SMARTMEDIA SUPPORT

All of the following sizes are supported from any manufacture:

1MegaByte	16MegaByte
2MegaByte	32MegaByte
4Megabyte	64MegaByte
8MegaByte	128MegaByte

E.3 PMC-SMARTMEDIA DESCRIPTION

When the PMC-SmartMedia board is installed in an Emerald Controller the SmartMedia insertion slot and two LEDs are visible. The LEDs help to determine functional status of the SmartMedia option board and memory. The SmartMedia are to be inserted into the socket until only about 1/8" of the card is showing outside the socket.

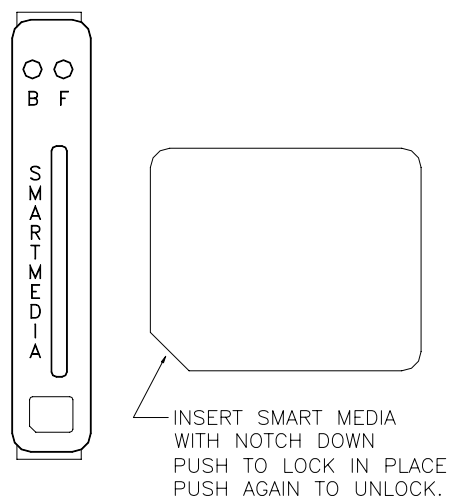


Figure E.1 - PMC-SmartMedia Description

E.4 PMC-SMARTMEDIA LEADS

The PMC-SmartMedia option board has two status LEDs marked with **B** and **F** meaning busy and fault respectively. Upon power-up of the EMC-2000 both LEDs will be ON until the PMC-SmartMedia board is properly initialized, then both the **B** and **F** led should go out. If the PMC-SmartMedia board has malfunctioned during this process the red **Fault** LED will stay ON.

NOTE: In The Event Of A Power-Up Fault The Green Busy Led May Also Stay On With The Red Fault Led.

The following constitutes the remaining statuses from the LEDs:

B (Busy green LED):

ON - Indicates that the SmartMedia socket is active, **don't** disturb the memory card.
OFF - Indicates socket is idle and SmartMedia may be removed or inserted.

F (Fault red LED):

ON - SmartMedia is possibly damaged or of incorrect format. Remove the memory and cycle power to the EMC-2000 to see if the power-up initialization is successful.
OFF - No faults.

E.5 PMC-SMARTMEDIA OPERATION

The SmartMedia may be inserted or removed with or without the Emerald controller having power applied.

IMPORTANT

Avoid removing SmartMedia memory cards when the Busy LED is on, in that this could damage the SmartMedia memory card.

The PMC-SmartMedia board will search the root directory of an inserted SmartMedia to find an application program and or EMC-2000 Operating System Firmware to upload the controller with, files of the extensions *.exf and *.abs respectively. If only the Application Program is desired to be uploaded than the *.abs file should not be in the root directory of the SmartMedia only the *.exf file. Likewise if its desired that only the Operating System Firmware be uploaded then the *.exf file should not reside in the root directory of the SmartMedia only the *.abs file. Its important to note that only one *.exf and one *.abs file may reside in the root directory of the SmartMedia for proper operation. It is okay for a directory tree and other files of differing extensions, other than *.exf or *.abs, too reside in the root directory without effecting PMC-SmartMedia board operation.

Files are to be copied to the SmartMedia using a PC with SmartMedia read/write support.

IB-20B001



**INDUSTRIAL
INDEXING SYSTEMS
INC.**

**626 FISHERS RUN
VICTOR, NEW YORK 14564**

**(585) 924-9181
FAX: (585) 924-2169**

PRINTED IN USA
© 2001