

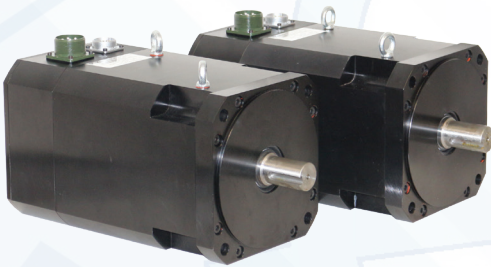
DUAL AXIS BACK-FOLDING CONTROL SYSTEM



Air-conditioned control system cabinet with a removable HMI operator station can be mounted in a position convenient for operator access



Touchscreen Operator Interface

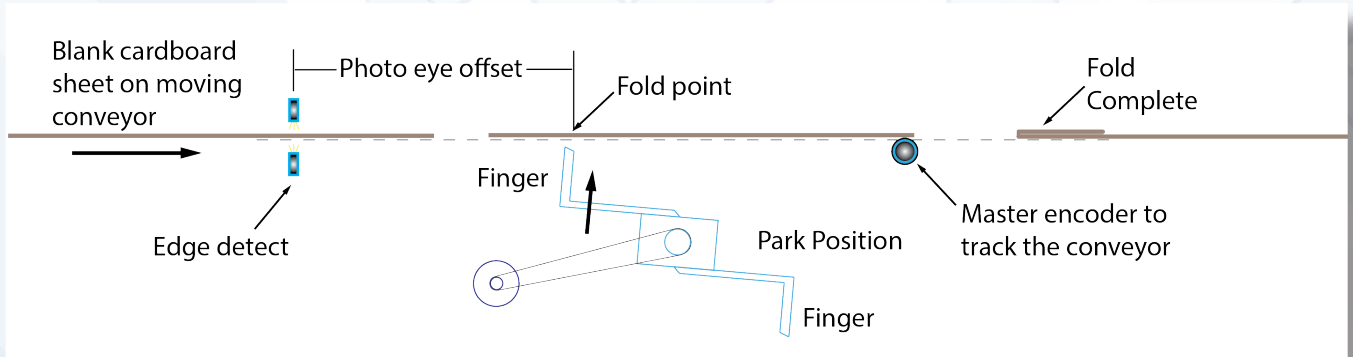


Dual 9100 watt servomotors used to drive the back-folding finger shafts

We provide servo solutions for all types of automation. One of our popular packages is the servo-controlled upgrade package designed for a high speed back-folding system. Used in the box-making process to accurately form, fold and glue the flaps on the back end of cardboard sheets. The back-end folding phase for a box accommodates different size flaps and box widths.

Easy setup sequences, presented by the touchscreen HMI operator interface, provide quick changeovers and adjustments for fine-tuning the back-folding process. Product run details reside in system recipes for future recall. Diagnostic screens and status messages that alert the operator minimize loss of production.

Backfolding Components:



For more details check out our Servo Technology at:

<https://www.iis-servo.com/dual-axis-back-folding-control-system/>

Call us today at (585) 924-9181 to discuss these products in greater detail

626 Fishers Run, Victor, NY. 14564 ~ info@iis-servo.com ~ www.iis-servo.com